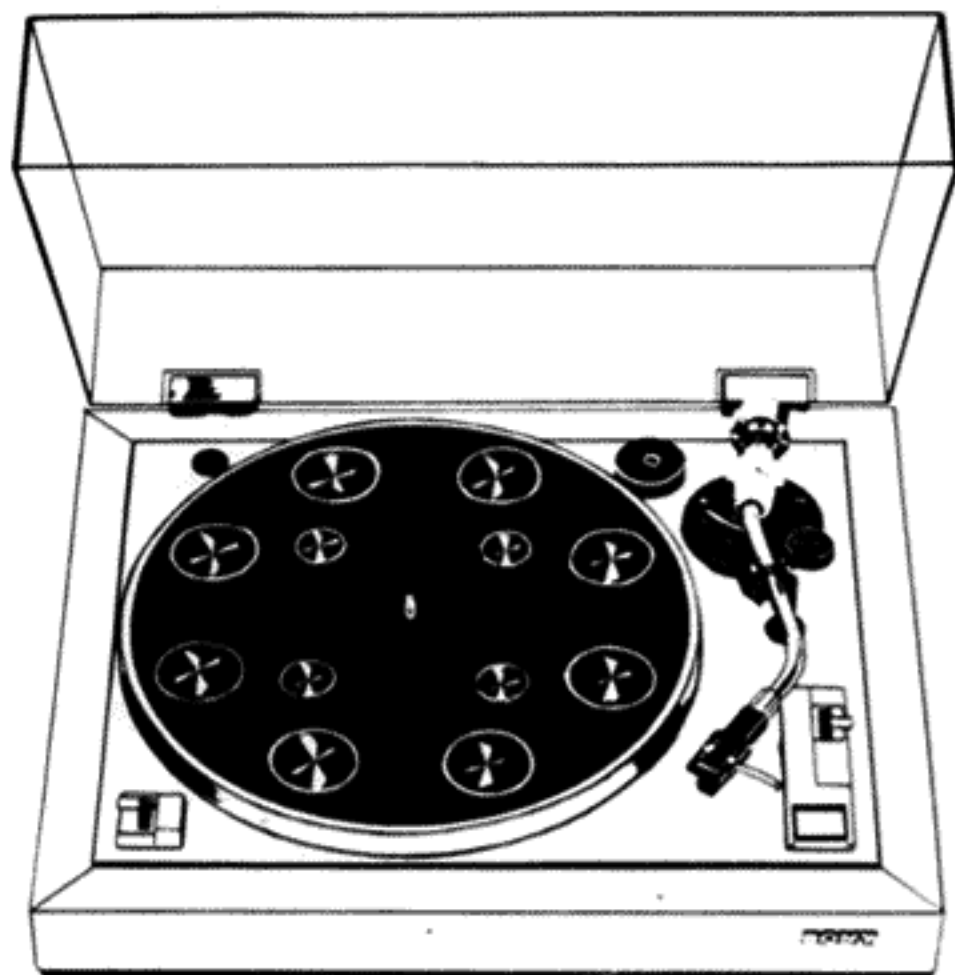


TURNTABLE SYSTEM

PS-1350



Owner's instruction manual Mode d'emploi

TABLE OF CONTENTS

Location of Controls	3
Precautions	4
Notes on Location	4
Adaptation to the Local Mains Supply	4
Turntable Assembly	5
Tonearm Assembly and Adjustments	6
Connections	8
Tips on Record Handling	8
Record Playing	8
Stylus Replacement	9
Using Another Cartridge	9
Lubrication	9
Trouble Checks.	10
Specifications.	10
Repacking for Shipment	10

WARNING

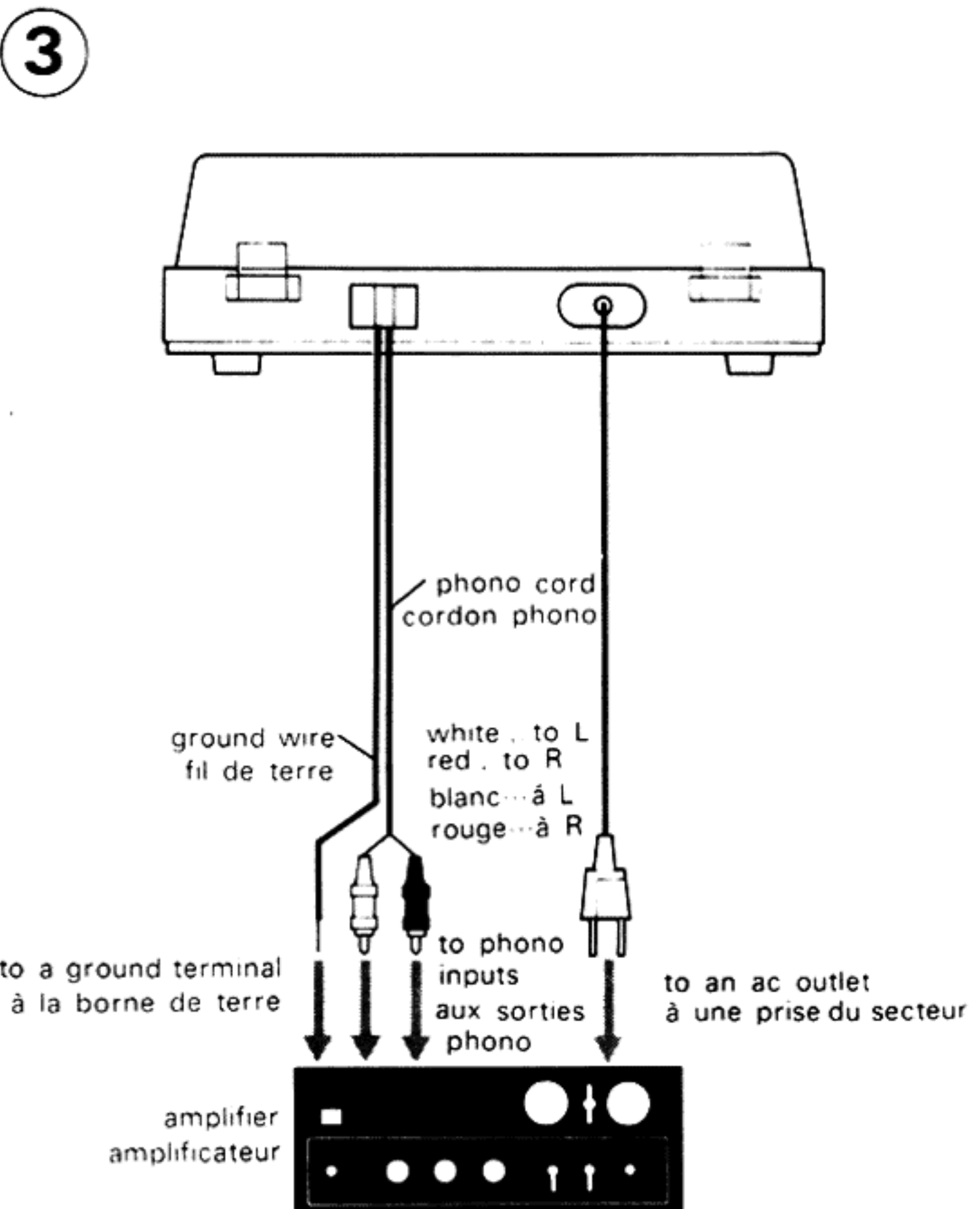
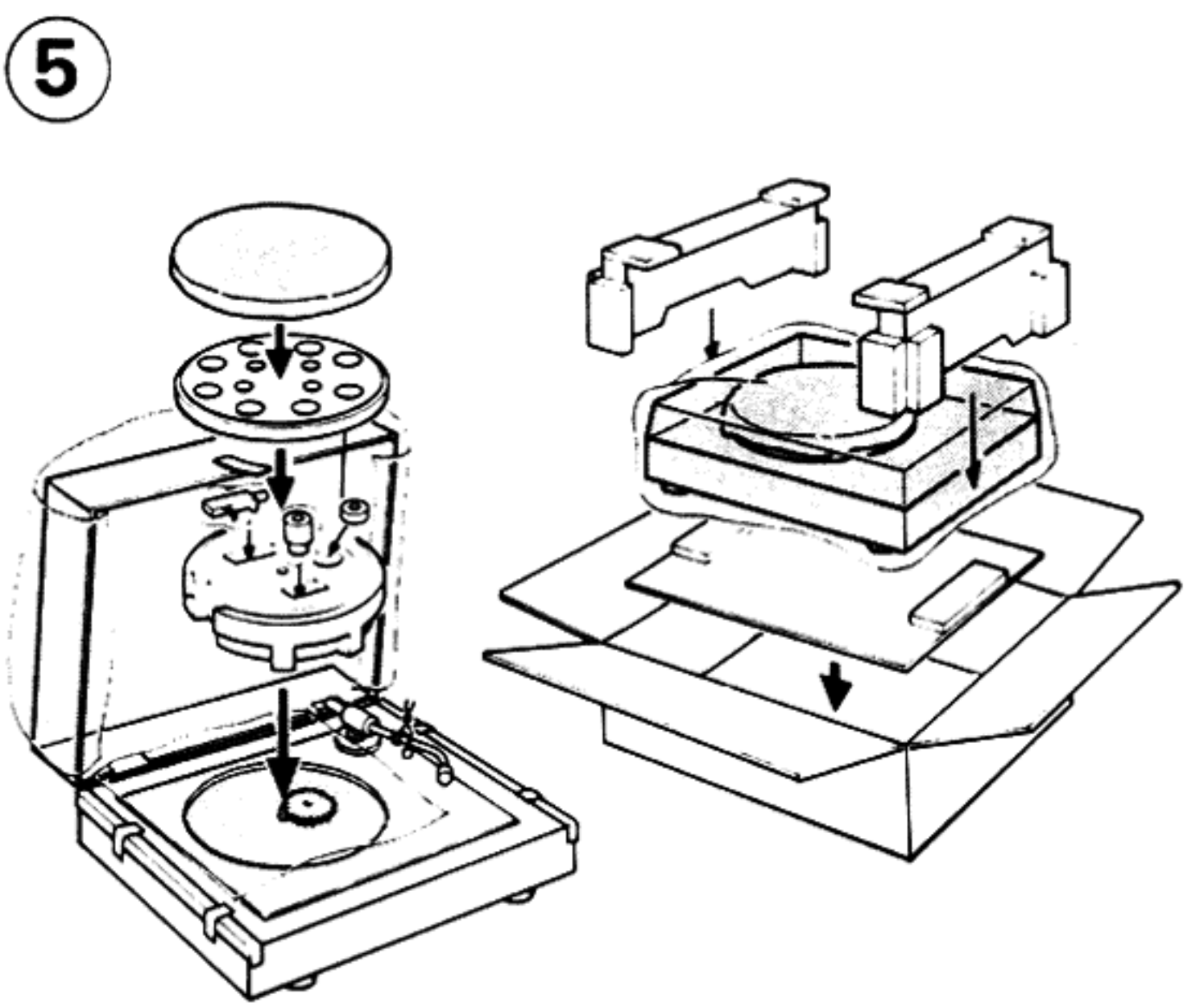
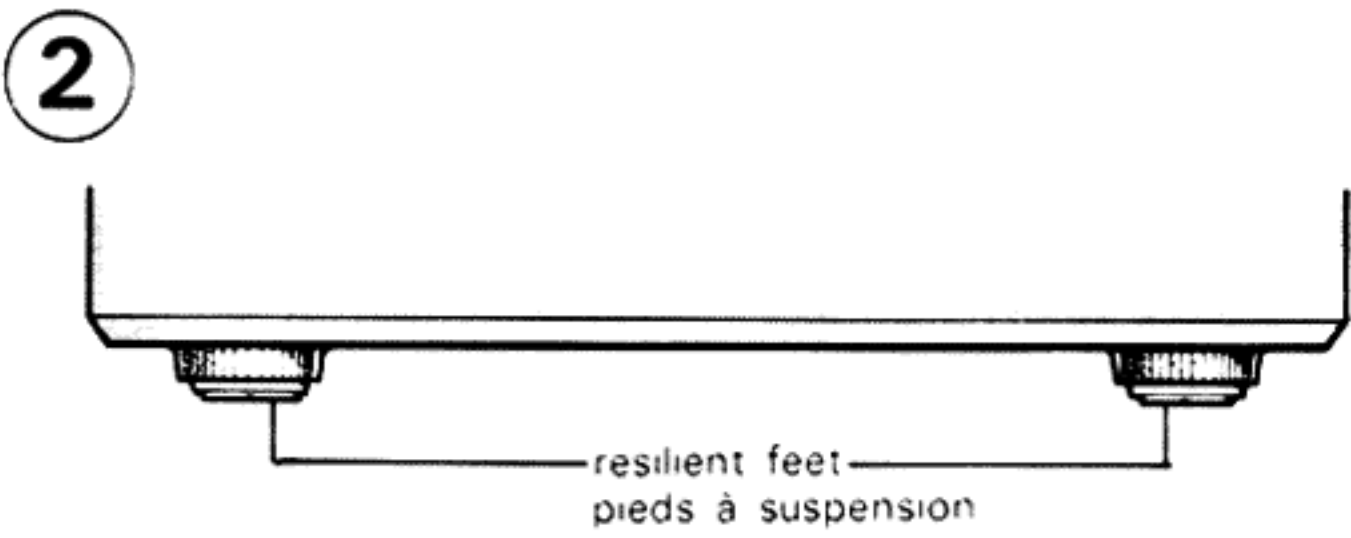
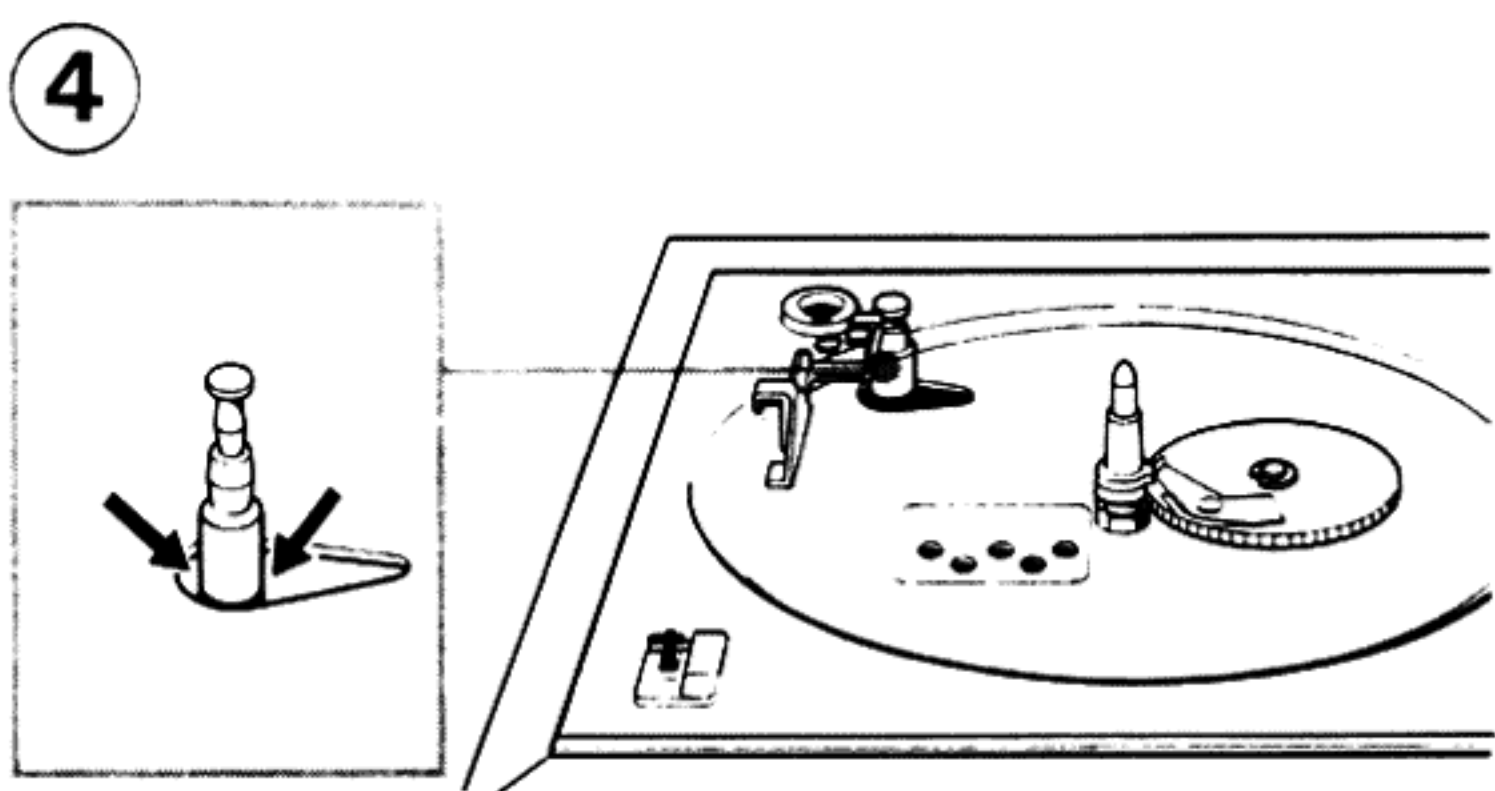
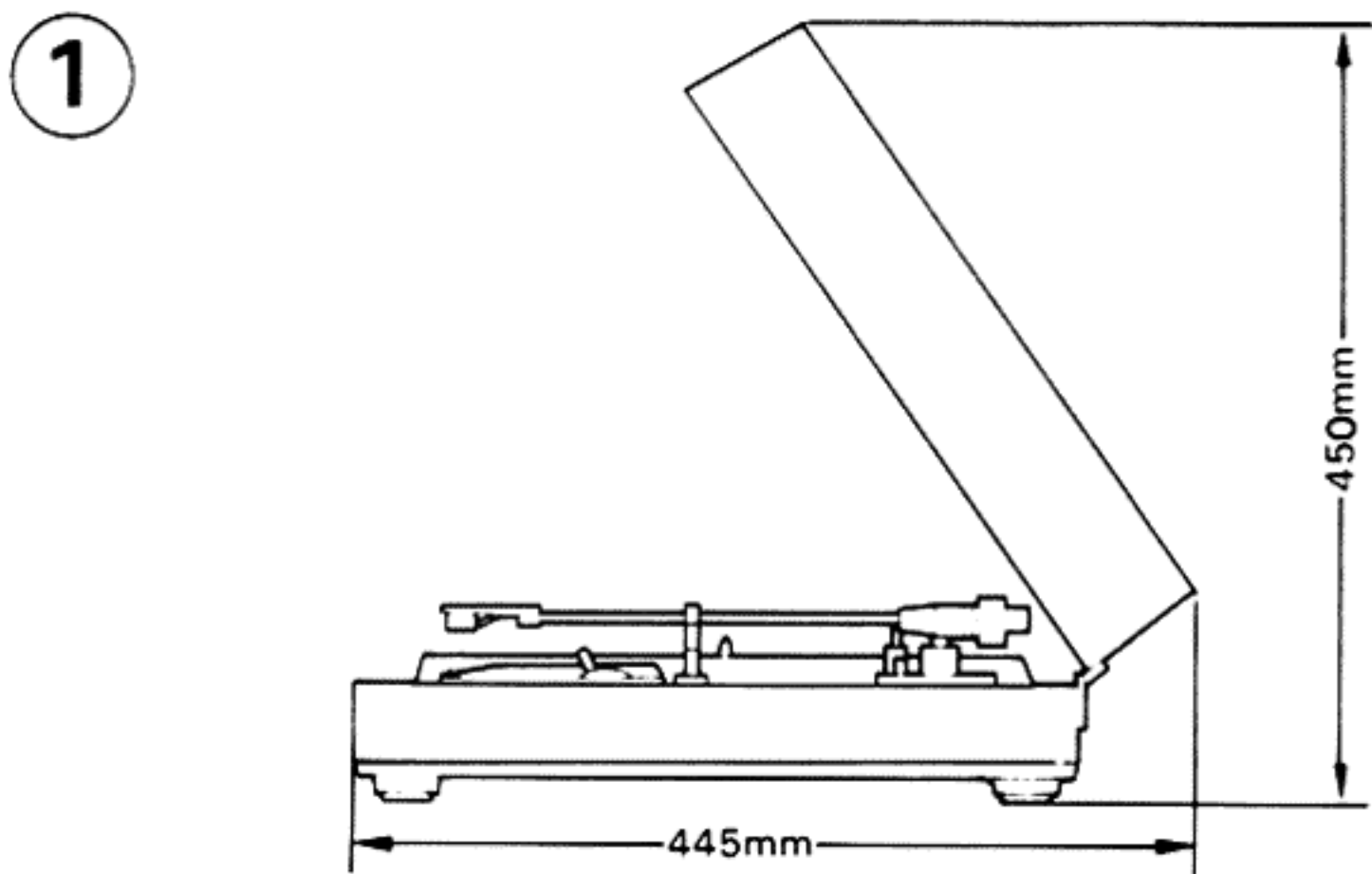
- To avoid electrical shock, do not open the cabinet. Refer servicing to qualified personnel only.
- To prevent fire or shock hazard, do not expose the set to rain or moisture.

TABLE DES MATIERES

Emplacement des commandes	3
Précautions.	4
Remarques sur l'emplacement	4
Adaptation au courant du secteur local.	4
Assemblage du plateau tournant	5
Assemblage et ajustements du bras de lecture	6
Connexions.	8
Recommandation sur le maniement du disque	8
Passage du disque	8
Remplacement de la pointe de lecture	9
Mise en place d'une autre cellule	9
Lubrification	9
Dépannage	10
Spécifications.	10
Remballage pour l'expédition	10

AVERTISSEMENT

- Pour éviter toute électrocution, ne pas ouvrir le coffret. Confier l'entretien uniquement à un personnel qualifié.
- Pour éviter tout danger d'incendie ou d'électrocution, ne pas exposer l'appareil à la pluie ou à l'humidité.

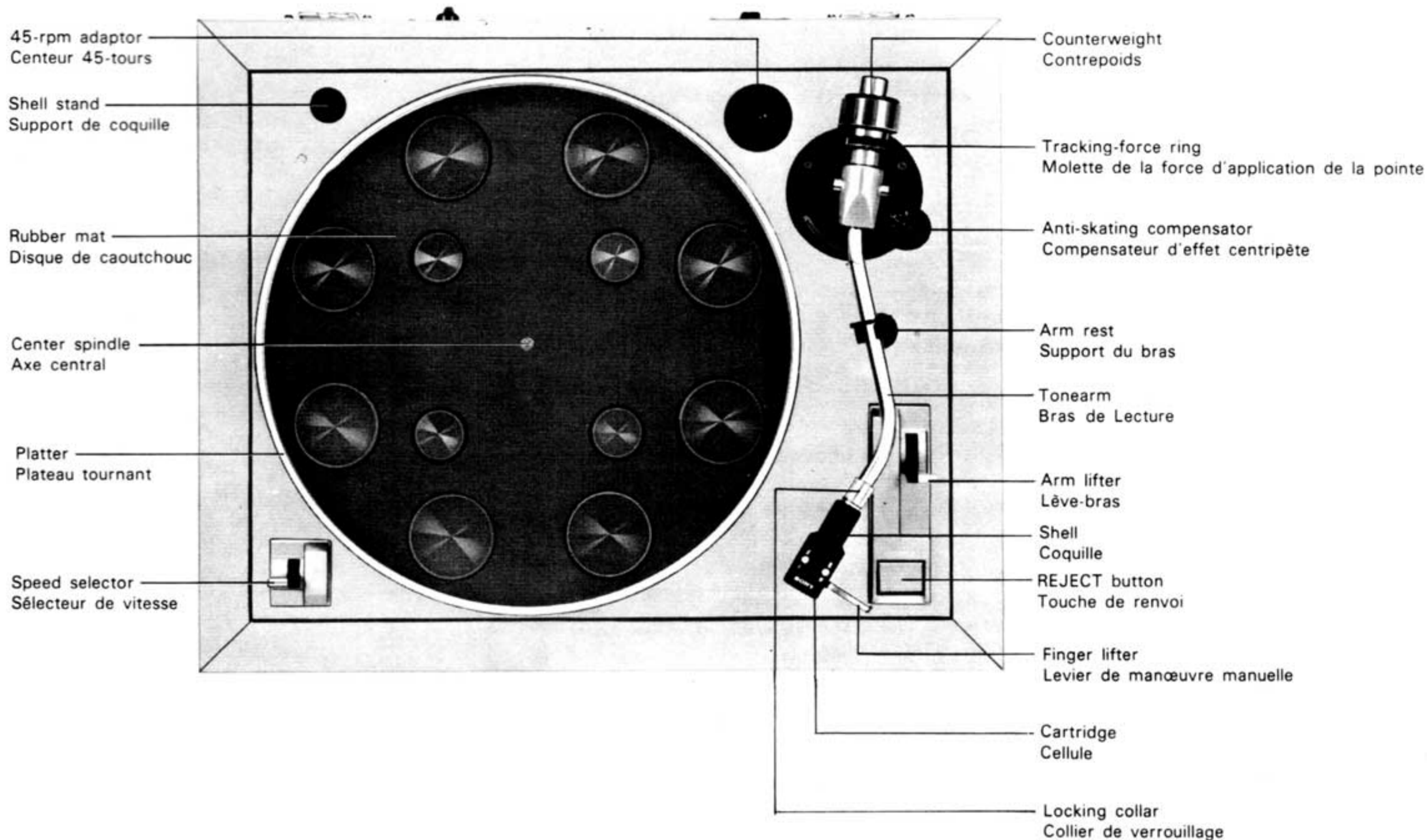


LOCATION OF CONTROLS

Your record player must be assembled as described here before it can be used for record playing. The picture below shows the appearance of the assembled player.

EMPLACEMENT DES COMMANDES

Votre table de lecture doit être assemblée comme indiqué ici, avant de l'utiliser pour l'écoute des disques. Le dessin ci-dessous montre l'emplacement des commandes et des pièces d'assemblage.



PRECAUTIONS

- Should any liquid or solid object fall into the cabinet, unplug the set and have it checked by qualified personnel before operating it any further.
- Unplug the set from the wall outlet when it will not be used for an extended period of time.
- Clean the cabinet and dust cover periodically with a soft dry cloth. Do not use solvent such as alcohol, benzine or thinner, since they will damage the finish.
- When the rubber mat is dirty, wipe it softly with a soft cloth slightly dampened with water.

NOTES ON LOCATION*

- Place the turntable on a level surface.
- Avoid placing the set near electrical appliances (such as television, hair dryer, fluorescent lamp) which may cause hum or noise.
- Avoid any vibration (such as from speakers, slamming of doors, etc.).
- Keep the set away from direct sunlight, extreme of temperature, or excessive dust and moisture.
- Allow five inches clearance behind the set so that the cover can be opened. (See ① on page 2.)

* The resilient feet are adjustable in height for leveling the turntable. These also isolate the mechanisms from external shock and vibration. (See ② on page 2.)

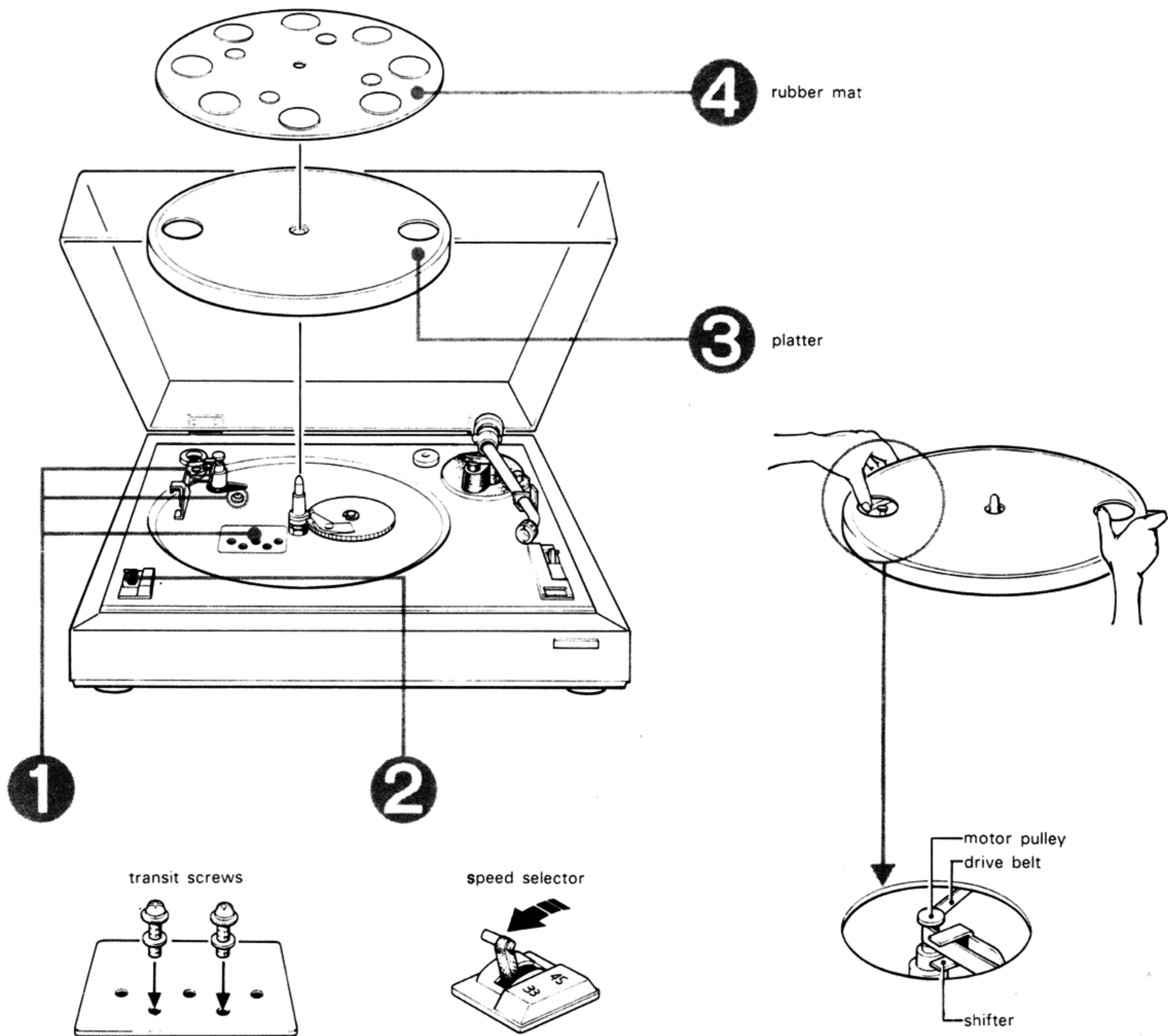
* Acoustic feedback

Although the PS-1350 has high resistance to acoustic feedback due to its well-suspended mounting, if the player and speaker installations are not correct, the reproduced sound will be degraded by an acoustic feedback effect.

The main factor in acoustic feedback is the direct mechanical transmission of vibration. Sound reproduced through the speaker vibrates solid objects (shelves, cabinets, floor, etc.), and the mechanical vibration of these objects is directly transmitted to the turntable, picked up by the cartridge stylus, amplified, and again reproduced through the speakers.

To reduce feedback effects, move the speakers further away from the turntable. Placing the speakers on something resilient such as pads or carpets may also be effective.

TURNTABLE ASSEMBLY



Do not connect the power cord or the connecting cords until after finishing the assembly and adjustments.

Remove all packing material and clean the cabinet.

❶ Remove the two red-painted transit screws. Store them in the holes on the caution label.

(These screws are required at the time of repacking. See the "Repacking instructions" on page 10.)

❷ Set the Speed selector to "33".

❸ Carefully place the platter on the motor board by matching the center hole and the center spindle. Simultaneously thread the drive belt outside the motor pulley.

Rotate the platter and check that the drive belt is correctly positioned on the motor pulley.

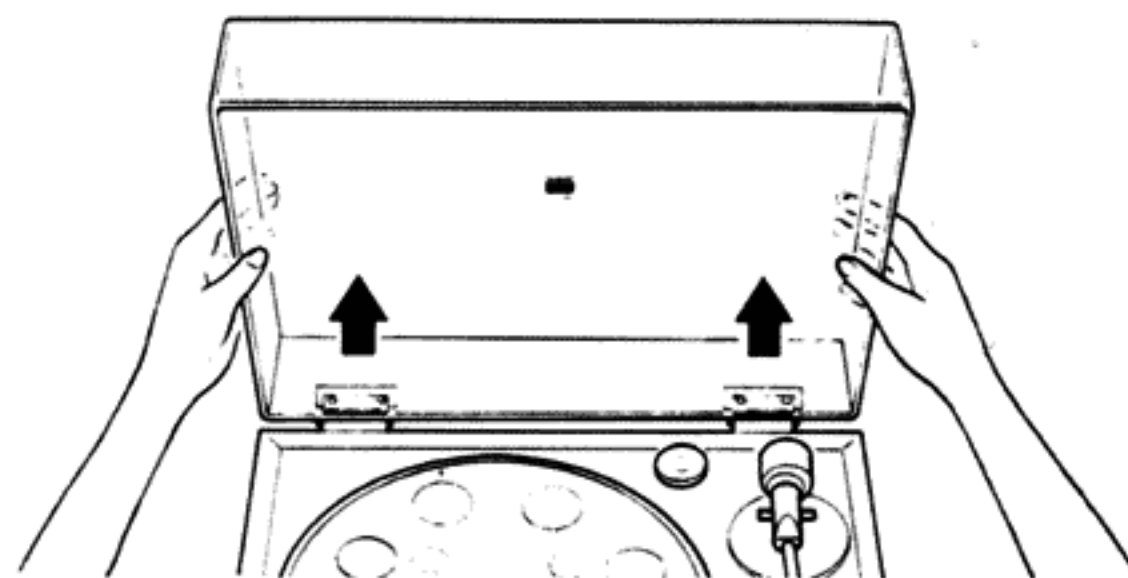
❹ Place the rubber mat on the platter.

● Be careful that no foreign objects lodge under the turntable.

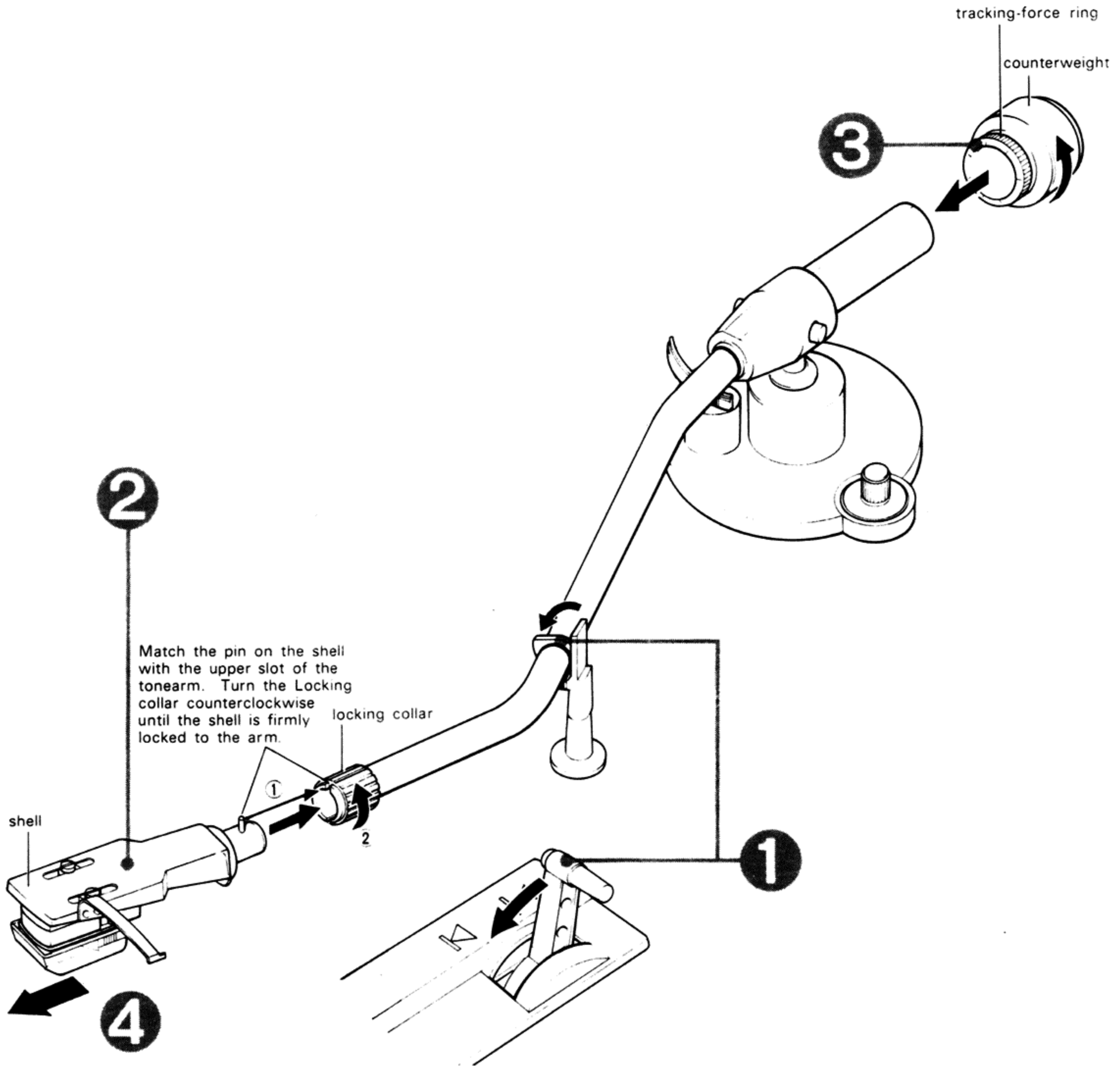
● Don't attempt to turn the turntable counterclockwise by hand.

To remove the dust cover

Open the dust cover by holding with both hands and lift it upwards.

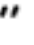


TONARM ASSEMBLY AND ADJUSTMENTS



The following procedures should be performed on a level surface. When you change the cartridge, the operating steps after "Adjustment" will be required.

Preparation

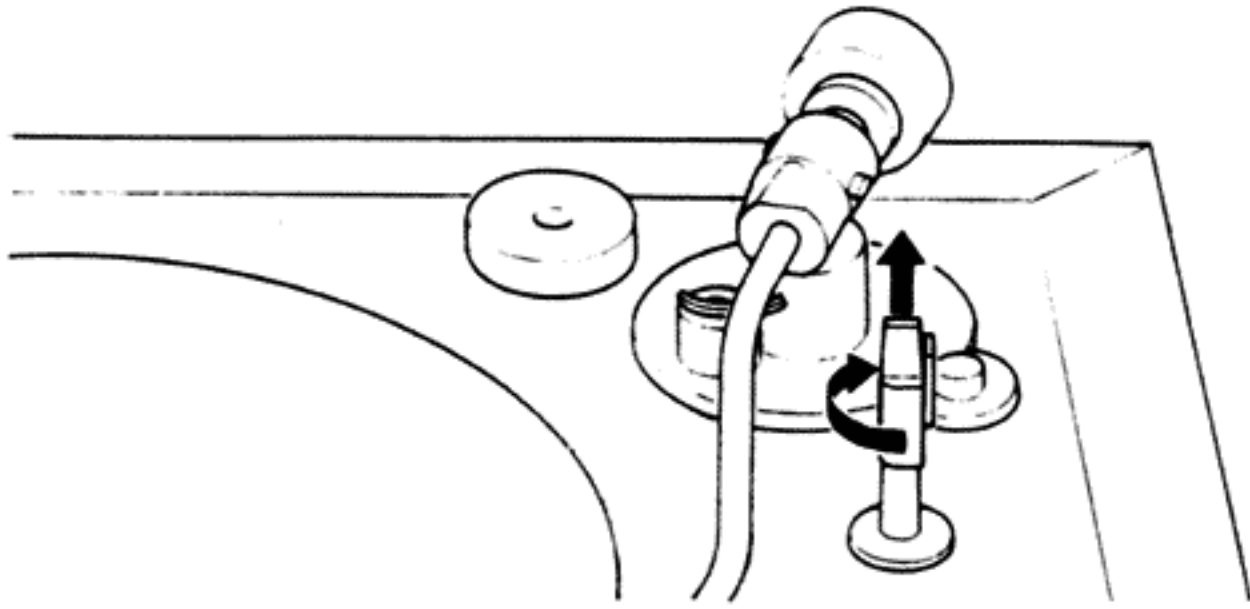
- 1 Place the Armlifter at the forward "  " position and secure the tonearm to the armrest.
- 2 Plug the shell into the tonearm.
- 3 Insert the Counterweight and the Tracking-force ring by turning the weight counterclockwise. (The Tracking-force ring turns with the counterweight.)
- 4 Remove the stylus guard.

Adjustment

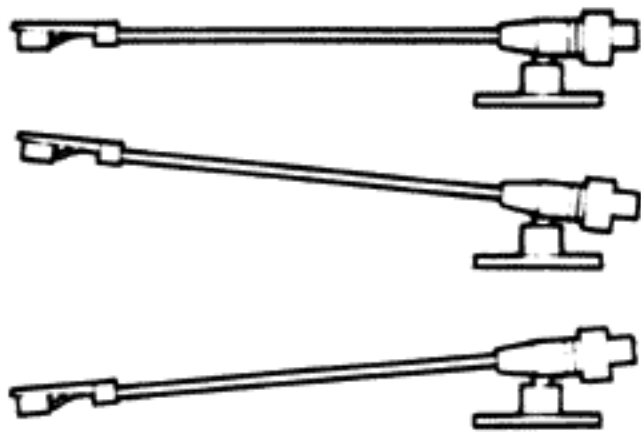
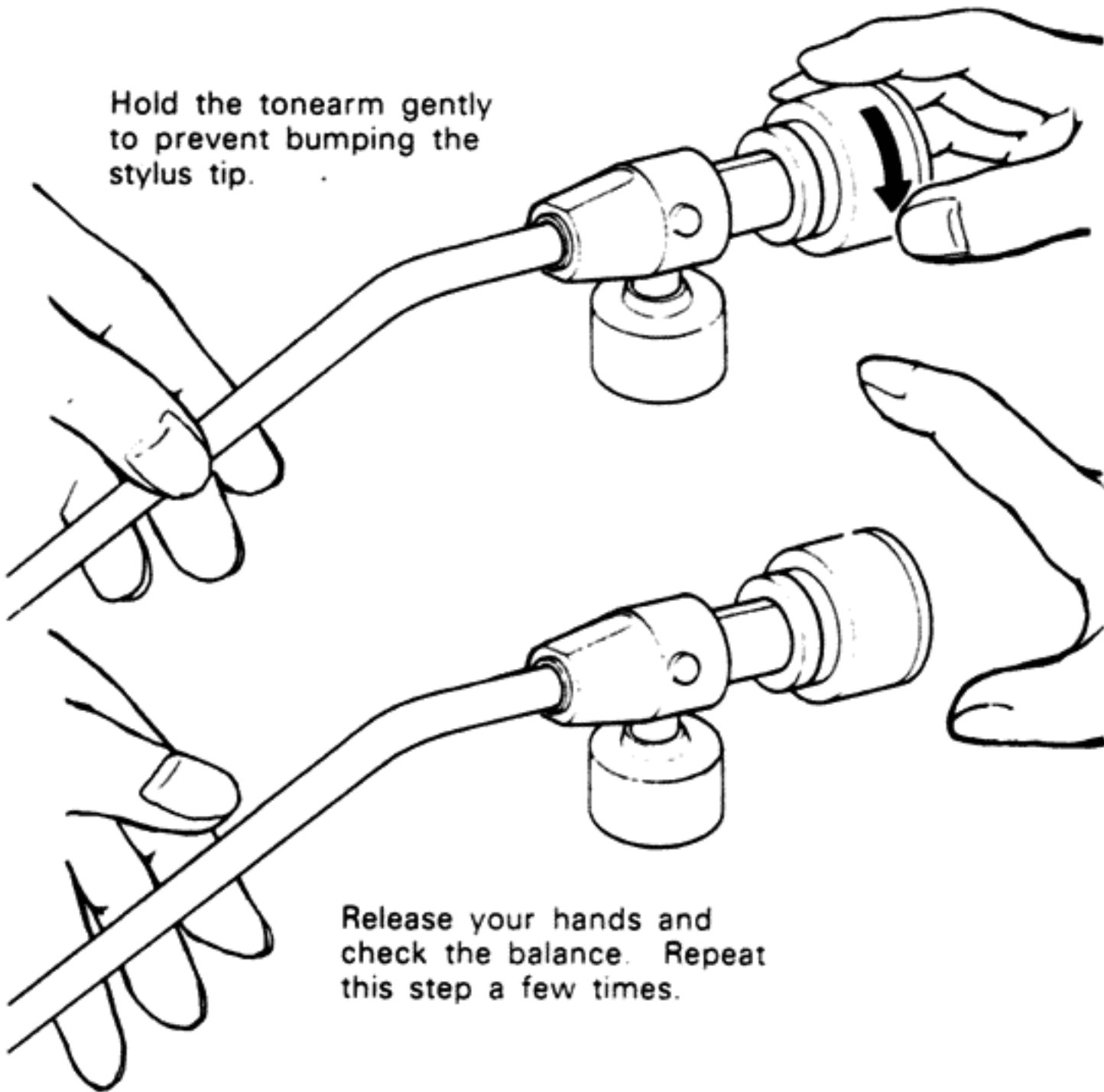
1) Balancing the tonearm

1) Release the tonearm from the Armrest.

By pulling the upper portion of the Arm rest, turn it 180 degrees clockwise, so that you can perform the adjustment easily.



2) Turn the Counterweight clockwise until the tonearm is in the horizontal balanced position. (The Tracking-force ring turns simultaneously.)



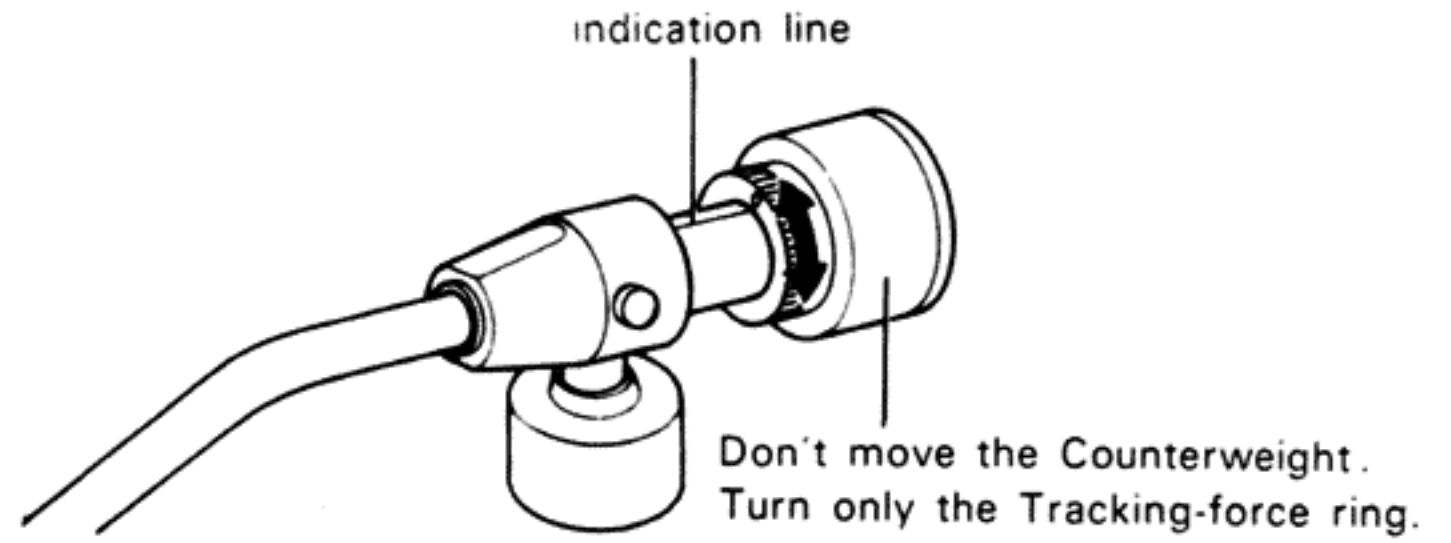
correct balance

Move the weight forward.

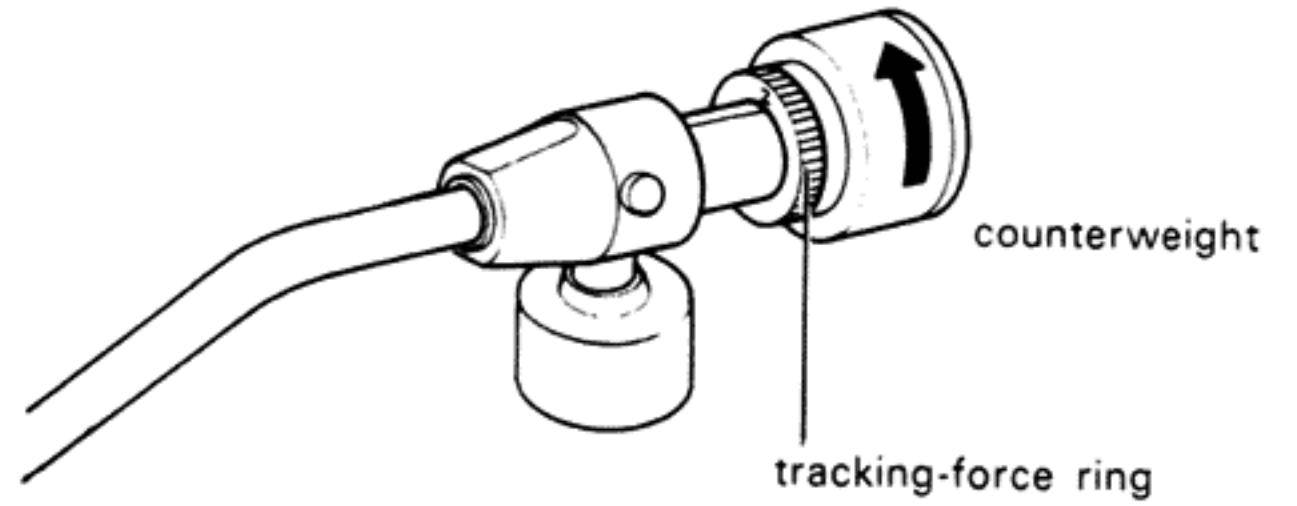
Move the weight backward

3) Secure the tonearm to the Arm rest again. By pulling the Arm rest, turn it 180 degrees counterclockwise. The Arm rest returns to its original position.

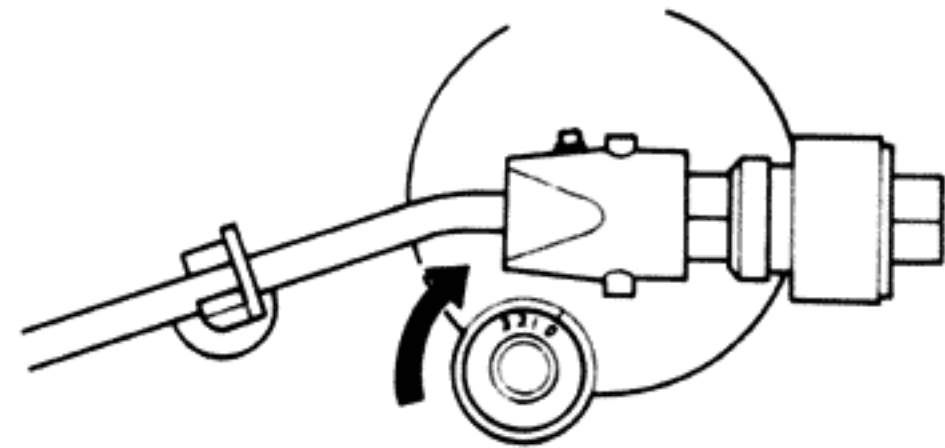
While holding the Counterweight at the balanced position, separately turn the Tracking-force ring until the "0" indication meets the center line on the arm.



2) Turn the Counterweight counterclockwise so that the figure "2" is aligned with the center line on the arm. The Tracking-force ring will turn at the same time.



3) Turn the Anti-skating compensator so that the arrow mark meets "2".



4) After the adjustments are complete, install the stylus guard onto the cartridge.

CONNECTIONS

(See ③ on page 2.)

- Check that the phono cord and power cord are not caught under any foot of the case.
- Leave a little slack in the connecting cord to allow for inadvertent shock or vibration.
- To disconnect the power cord, pull it out by the plug. Never pull it by the cord.

TIPS ON RECORD HANDLING

Before playing

- For cleaning the stylus, use a soft brush (stylus brush, artist's paint brush, etc.). Never clean the stylus with your finger tip.
- For routine cleaning of records, the use of a barely damp soft cloth (gauze, etc.) or a fluid type cleaner will be effective. If a spray type record cleaner is used, make sure that the cleaner has dried completely before playing the records. Record playing while the fluid is still wet may damage the records. It is a good idea to clean the record again before putting it away.
- Handle a record by its edges and don't touch the music grooves. Finger prints on the record surface may induce an accumulation of dust, resulting in impaired tone.



When record playing

- It is recommended that you reduce the amplifier volume before you lower the tonearm onto the record.
- While the turntable is energized, don't attempt to stop or reverse the turntable by hand.
- During play, be sure to close the dust cover. Don't place anything on the dust cover.
- While playing, never attempt to move the player or touch the tonearm.
- Be sure to rotate the turntable after the speed is changed to avoid deforming the drive belt.

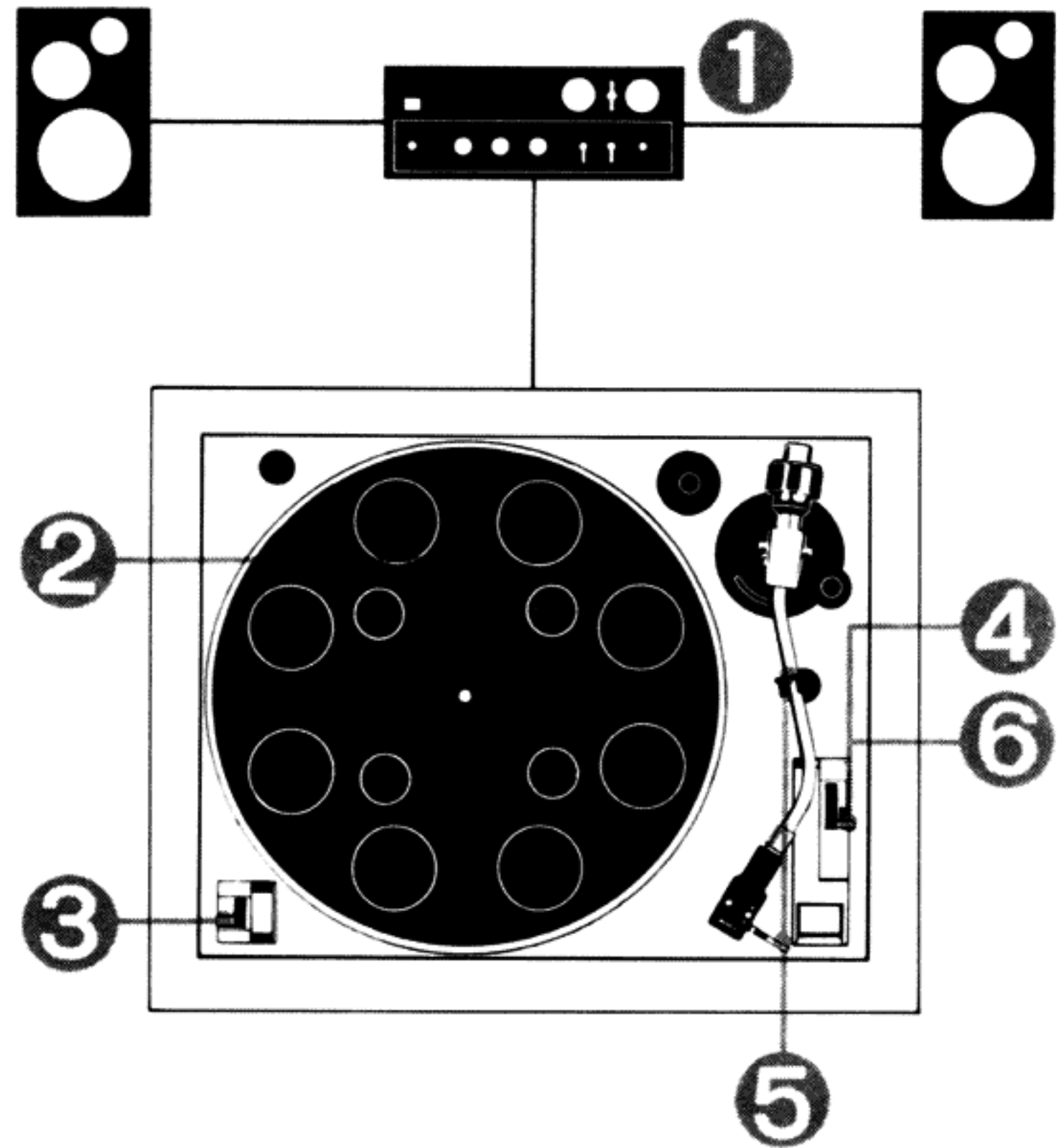
After playing

- Avoid exposing records to any source of heat, such as direct sunlight, a hot-air duct, etc.
- Store records vertically without applying any pressure or inclining to either side. This will minimize any warpage.
- When not using the player, close the dust cover.

Other Precautions

- Don't put anything but records on a turntable.
- Don't place anything but the spare cartridge and 45-rpm adaptor on the cabinet.

RECORD PLAYING



Follow in sequence the numbered operation of the diagram.

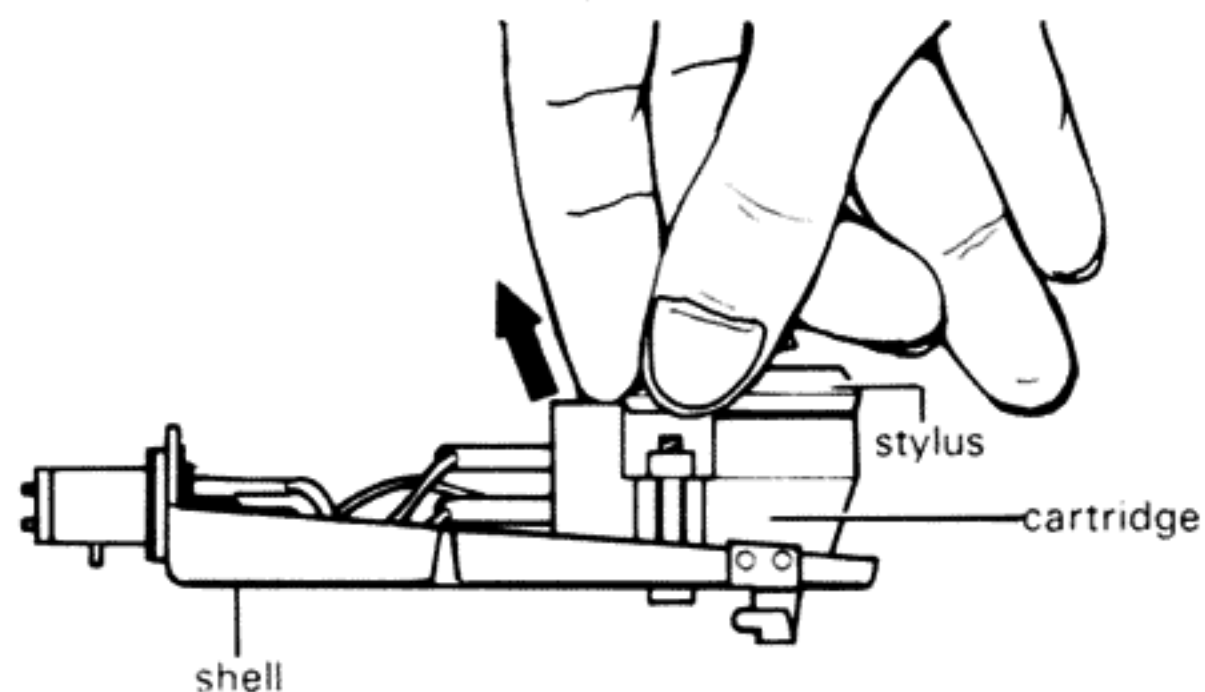
- ① Lower the amplifier volume. Turn on the amplifier and set the amplifier input selector to PHONO.
 - ② Place a record on the turntable.
 - ③ Select the speed (either 33 or 45) according to the record speed that you wish to play.
 - ④ Set the Arm lifter to "▼" (the other side position).
 - ⑤ Bring the tonearm to the desired position on the disc. The turntable starts rotating.
 - ⑥ Set the Arm lifter to "▲" (forward position). The tonearm lowers gently and the play begins.
- Adjust the sound level, stereo balance and tone quality with the amplifier according to your preference.
- For 7-inch records, put the 45-rpm adaptor (supplied) over the spindle.
 - After playing, the tonearm automatically returns to its rest and the set is turned off.
 - To stop during play, push the REJECT button. To stop the turntable manually, set the Arm lifter to the "▼" position, and the tonearm will automatically rise. Then bring the tonearm to the rest. The turntable will stop. Be sure to place the tonearm in the arm rest securely.
 - After playing, the tonearm automatically returns to its rest and the power is turned off.

STYLUS REPLACEMENT

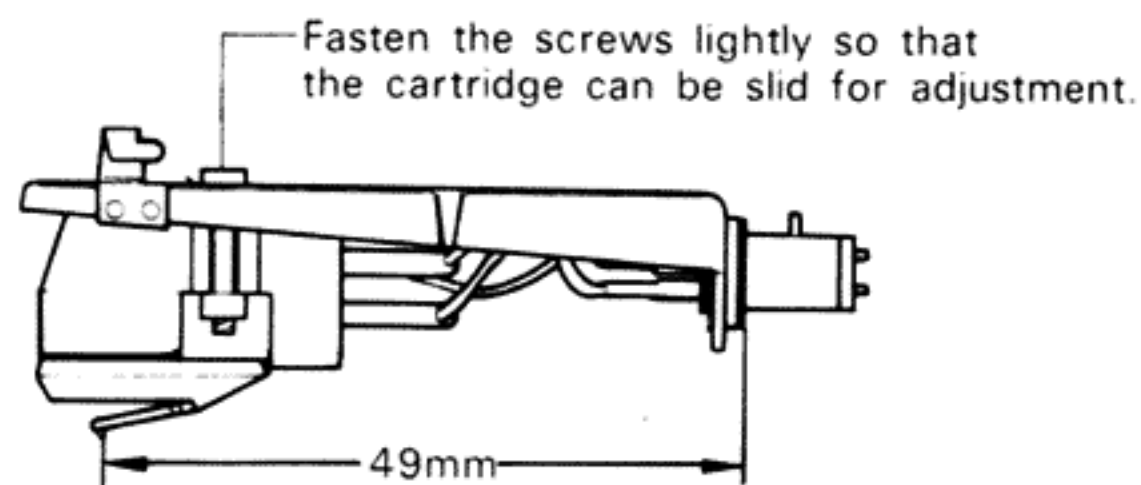
About 400 hours' use will wear out the stylus. For replacement, the stylus model **ND-134G** is available at your Sony dealer. Handle the stylus carefully as it is a highly precise and delicate device.

Install the replacement stylus as follows:

1. Lower the sound level or turn off the amplifier.
2. Remove the shell from the tonearm.
3. Grasp the stylus assembly between the thumb and forefinger and pull gently to remove the stylus. See the illustration.
4. Insert the new stylus into the cartridge.



6. Confirm that the cartridge is installed as illustrated.



Overhang

Check whether or not the stylus overhang is set correctly. Use the Alignment protractor (supplied).

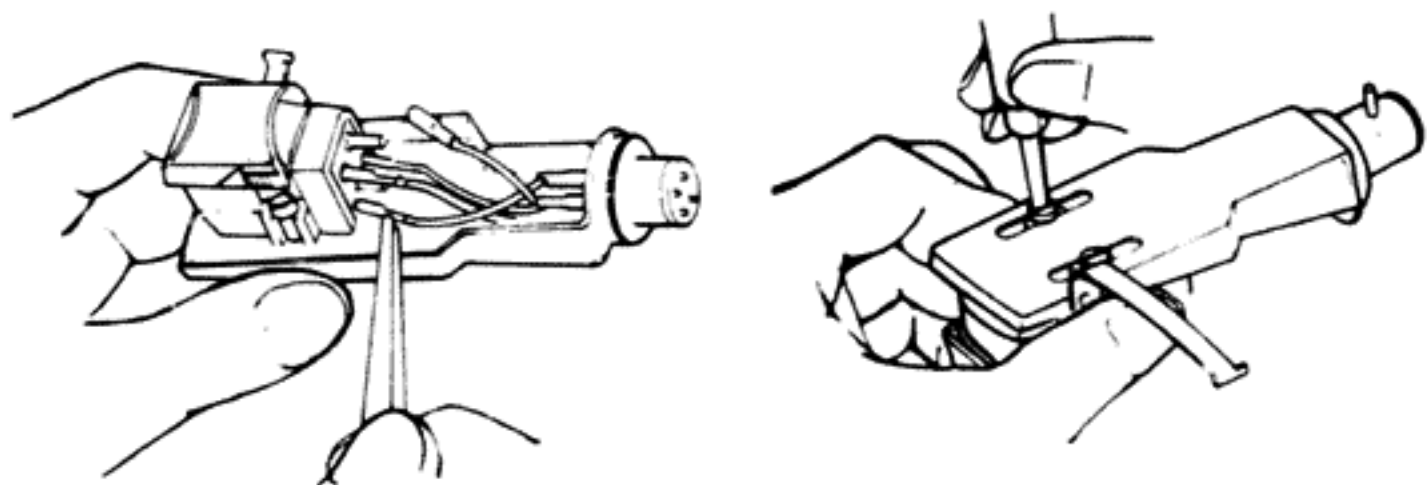
1. Insert the Alignment protractor into the spindle through the hole on its corner.
2. Bring the tonearm above the cross point of the two fine lines, and carefully lower the stylus on the cross point with the Arm lifter.
3. Check to see that the shell is parallel to the thick lines drawn on the Alignment protractor as shown in the illustrations. If they are parallel, the stylus overhang is set correctly.
4. If the shell is not parallel, loosen the screw and adjust the stylus overhang until it is parallel.

USING ANOTHER CARTRIDGE

Cartridge replacement

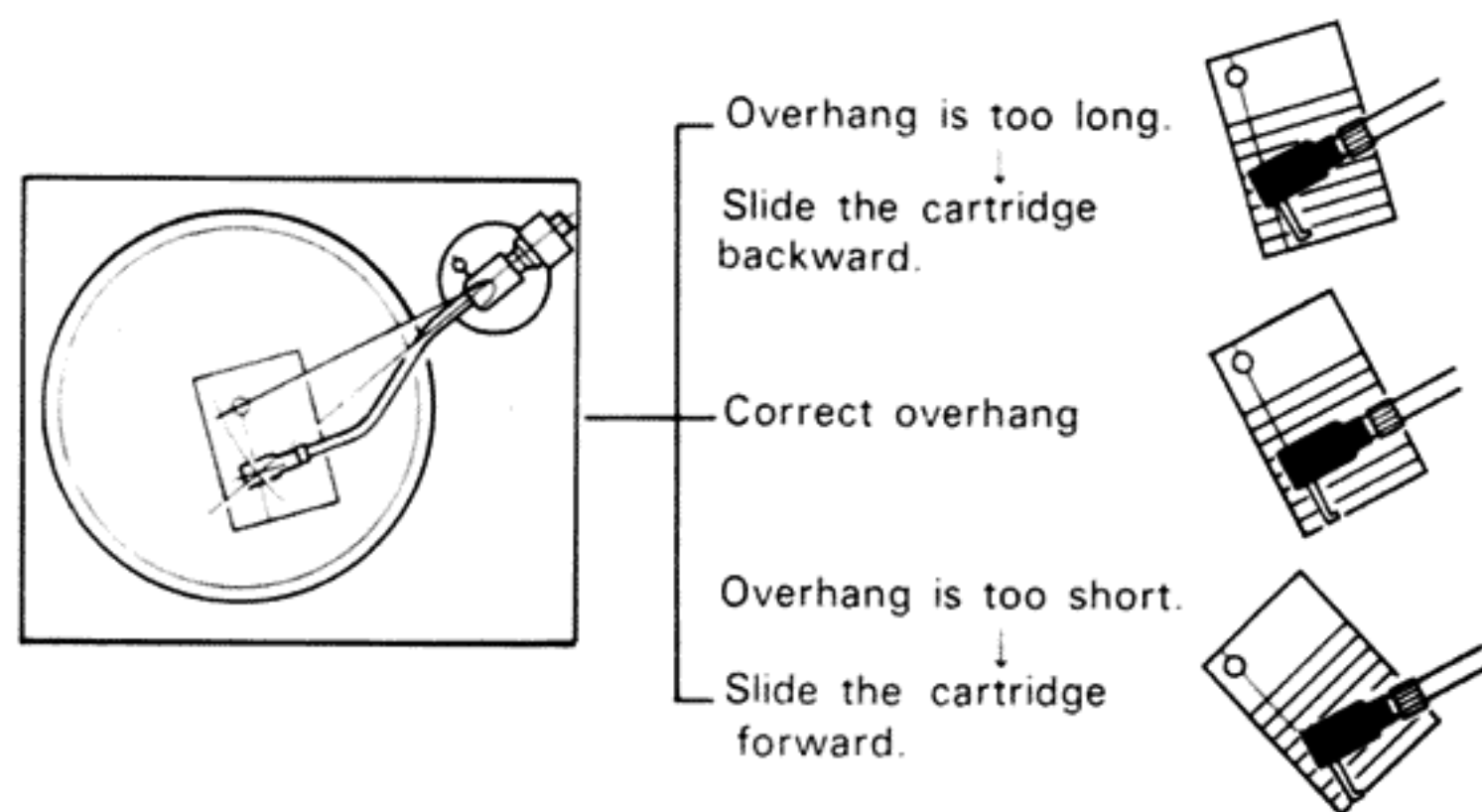
A cartridge weighing between 4 g - 12.5 g can be used with the supplied shell. If some other shell/cartridge is installed, use them whose weight and height are the same as that of the supplied shell/cartridge. When a cartridge is replaced, readjustments are required.

1. Lower the sound level or turn off the amplifier.
2. Remove the shell from the tonearm.
3. Unplug the four-pin connectors of the shell from the four output terminals of the cartridge.
4. Remove the old cartridge by loosening two screws holding the cartridge to the bracket. Attach the new cartridge to the shell bracket.



5. Attach the four-pin connectors to the four-output terminals of the desired cartridge as follows.

Shell connectors	Cartridge terminals
White wire	L (Left channel signal)
Blue wire	LE or G (Left channel ground)
Red wire	R (Right channel signal)
Green wire	RE or G (Right channel ground)



After doing the above, adjust the tonearm according to the procedure given in "TONEARM ASSEMBLY AND ADJUSTMENT".

● A storage space is provided on the base of the turntable for an extra mounted cartridge.

LUBRICATION

Apply once a year one or two drops of oil to the motor shaft with the Sony Oil OL-2KA. No other parts require lubrication. Never apply to the drive belt or the motor pulley. If oil is accidentally dropped onto them, wipe the oil with a cloth moistened with pure alcohol. (See ④ on page 2.)

TROUBLE CHECKS

The following chart will help correct most troubles which may occur with the PS-1350. If the trouble persists after you have checked these items, consult your Sony dealer.

Impaired tone quality

- Turntable not level
- Improper tonearm balance (See ❶, on page 7.)
- Improper tracking-force
- Improper setting of the anti-skating compensator (See ❸ on page 7.)
- Dusty stylus
- Worn stylus or defective record (The stylus life is approx. 400 hours of playing time.)
- Incorrectly placed on or near a speaker
- Incorrect cartridge installation
- Incorrect threading of the drive belt
- Worn drive belt

No audio from one channel

- Loose attachment of the shell to the tonearm (See page 6.)
- Low volume level setting for one channel of the amplifier
- Loose connection of phono cord

Groove skipping. Tonearm tends to skate out. Tonearm does not advance (record repeats).

- Turntable not level
- Improper tracking-force
- Improper setting of the anti-skating compensator
- Defective record

Steady low-pitched sound (hum)

- Loose ground wire to the amplifier
- Loose connection between the shell and the tonearm
- Incorrect connection of the cartridge lead wires (See page 9.)

SPECIFICATIONS

Turntable

Platter	30 cm (12 inches), diecast aluminum alloy.
Drive system	Belt-drive system
Motor	4-pole synchronous
Speeds	33 1/3, 45 rpm
Wow and flutter	WRMS 0.06%
S/N ratio	63 dB (DIN-B)

Tonearm

Type	Statically balanced
Pivot to stylus length	216.5 mm (8 9/16 inches)
Overall arm length	300 mm (11 3/4 inches)
Overhang	16.5 mm
Tracking-force adjustment range	0 - 3 g
Shell weight	7.5 g
Cartridge weight range	4 - 12.5 g

Cartridge

Type	Moving magnet type
Frequency range	10 Hz - 30 kHz
Channel separation	25 dB at 1000 Hz
Output voltage	3 mV at 1 kHz, 5 cm/sec.
Load impedance	50 kohms
Tracking-force	1.5 - 2.5 g (2 g)
Stylus	Sony ND-134G (Conical 0.5 mil diamond)
Weight	5.5 g

General

Power requirement	120 V ac, 60 Hz
Power consumption	12 W
Dimensions	450 × 160 × 380 mm (w/h/d), (17 3/4 × 6 1/8 × 15 inches)
Weight	7.7 kg (net), (16 lb 15 oz) 9.3 kg (in shipping carton), (20 lb 8 oz)

Supplied accessories	45-rpm adaptor Alignment protractor Spacer for cartridge installation
-----------------------------	---

Optional accessories	Replacement stylus ND-134G Sony oil OL-2KA
-----------------------------	---

Design and specifications subject to change without notice.

REPACKING FOR SHIPMENT

The original shipping carton and packing material (which we asked to save) is the ideal container for use in shipping the PS-1350 for repair work, or to another location. However, to secure the maximum protection, it must be repacked in this material precisely as before. The proper repacking procedure is shown in the illustration.

- Turn the two transit screws (painted red) fully clockwise to fasten the turntable to the cabinet. (See ❺ on page 2.)

PRECAUTIONS

- Des objets étrangers ou des liquides viendraient-ils à pénétrer dans le coffret, débrancher aussitôt l'appareil et le faire vérifier par un personnel qualifié avant un nouvel emploi.
- Débrancher l'appareil de la prise du secteur lorsqu'il n'est pas utilisé pour une longue période.
- Nettoyer le coffret et le couvercle cache-poussière avec un chiffon doux. Ne pas utiliser de solvants tels que l'alcool, benzine qui pourraient endommager le coffret.
- Lorsque le disque de caoutchouc se salit, l'essuyer doucement avec un chiffon légèrement imbibé d'eau.

REMARQUES SUR L'EMPLACEMENT*

- Placer la table de lecture sur une surface plate.
- Éviter de placer l'appareil près d'accessoires électriques (tels que télévision, sèche cheveux, lampe fluorescente), qui peuvent causer bourdonnement ou bruit.
- Éviter toute vibration (comme celles venant de haut-parleur, claquage de portes, etc.)
- Conserver l'appareil à l'abri des rayons du soleil, de températures extrêmes, d'excessives poussières ainsi que de l'humidité.
- Réserver un espace de 10 cm derrière l'appareil, de sorte que le couvercle puisse facilement être ouvert. (Voir ①, page 2.)

* Les pieds à suspension sont ajustables en hauteur pour ajuster le niveau de la table de lecture. Ils font aussi office d'isolateurs pour protéger le mécanisme des chocs ainsi que des vibrations extérieures. (Voir ②, page 2.)

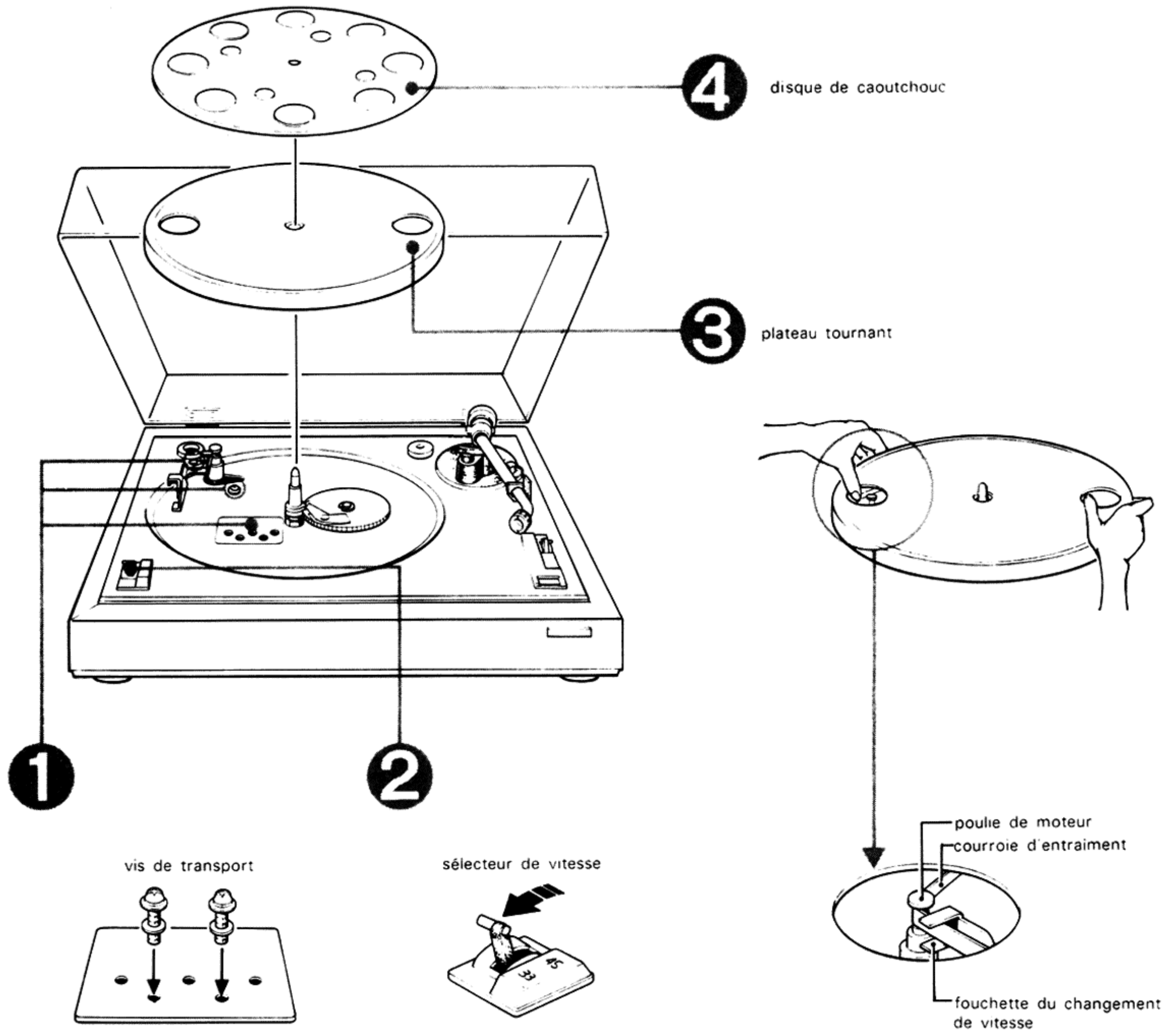
* Réaction par couplage acoustique

Bien que le PS-1350 ait une résistance élevée à tout couplage acoustique, ceci grâce à sa bonne suspension, si la disposition de la table de lecture et des haut-parleurs n'est pas correcte, la lecture se dégrade par suite d'un effet de rétroaction acoustique.

La cause principale d'un couplage acoustique est la transmission mécanique directe des vibrations. Le son reproduit par les haut-parleurs fait vibrer les objets solides (rayons, meubles, plancher, etc.) et la vibration mécanique de ces objets transmise directement à la table de lecture est recueillie par la pointe de la cellule, amplifiée, et à nouveau reproduite par les haut-parleurs.

Pour réduire les effets de rétroaction, éloigner davantage les haut-parleurs de la table de lecture. Placer les haut-parleurs sur une surface molle comme des chiffons ou un tapis, peut être efficace.

ASSEMBLAGE DU PLATEAU TOURNANT



Ne brancher le cordon d'alimentation ainsi que les cordons phono, qu'après avoir terminé l'assemblage et les ajustements. Retirer tout le matériel d'emballage et nettoyer le coffret.

❶ Retirer les deux vis de transport peintes en rouge, et les mettre dans les trous sur l'étiquette d'avertissement. (Ces vis seront nécessaires au moment du remballage. Voir "REMBALLAGE POUR L'EXPEDITION", page 17.)

❷ Placer le sélecteur de vitesse sur 33.

❸ Poser le plateau tournant sur la plaque-support du moteur en passant l'axe dans l'encoche central. En même temps, passer la courroie d'entraînement autour de la poulie de moteur et dans la fourchette du changement de vitesse.

Faire tourner le plateau pour vérifier que la courroie est convenablement engagée sur la poulie de moteur.

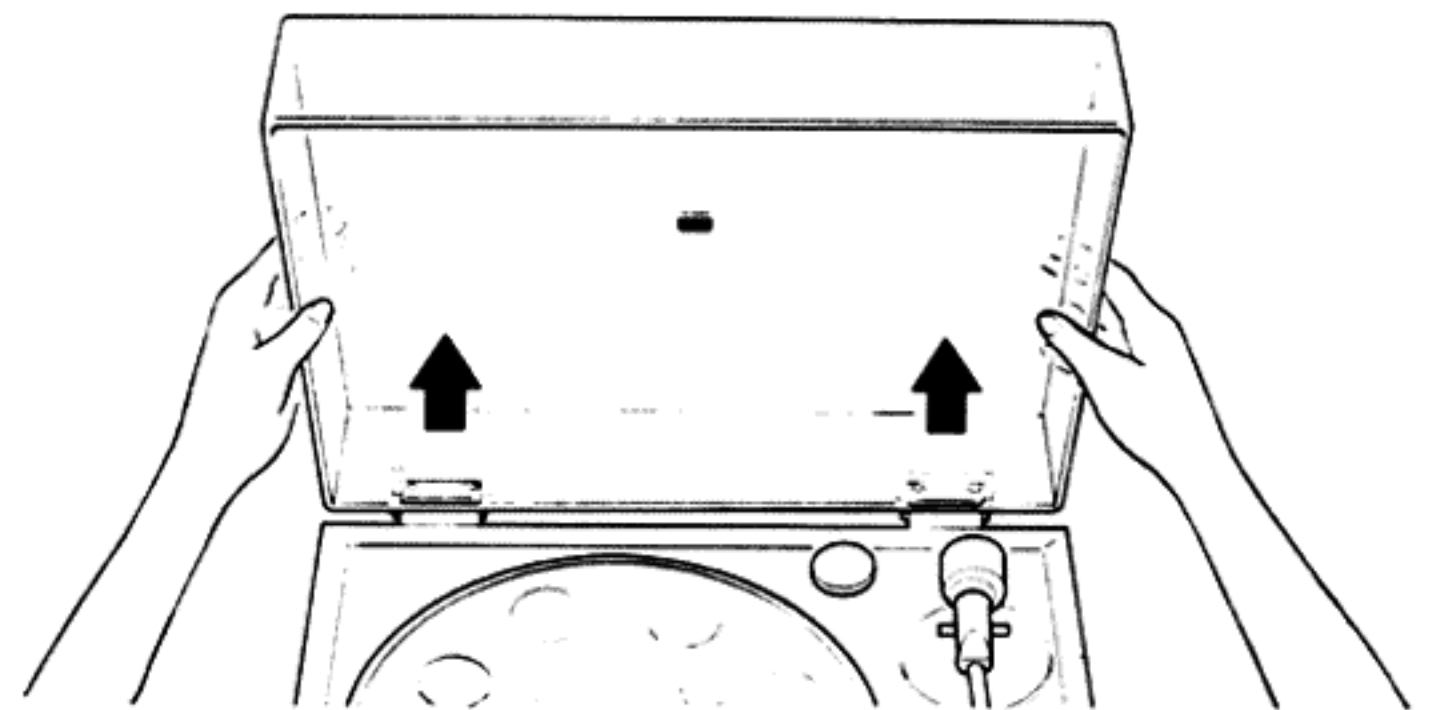
❹ Placer le disque de caoutchouc sur le plateau tournant.

● Bien veiller à ce qu'aucun objet étranger ne vienne se glisser sous le plateau.

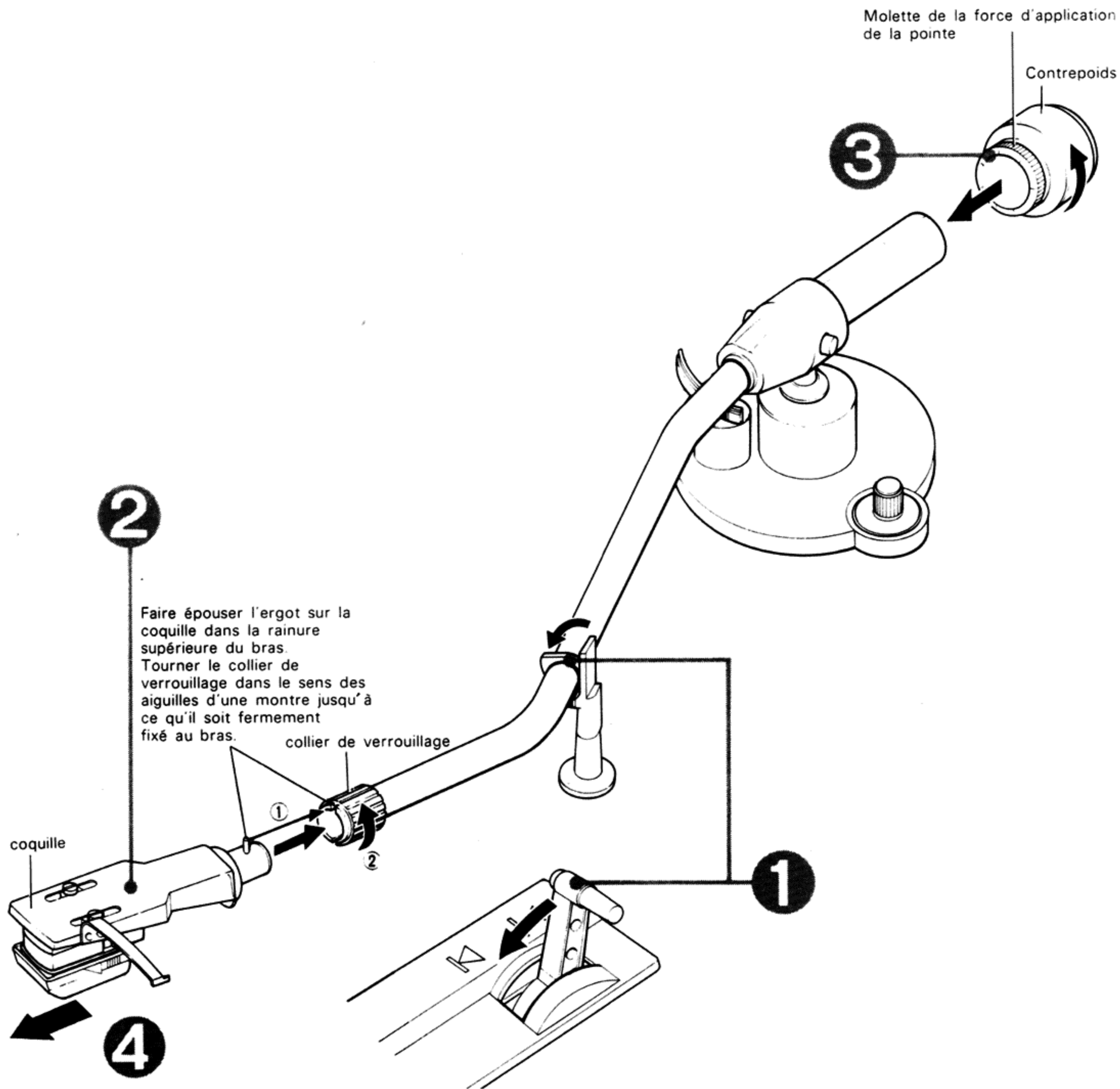
● Ne pas tenter de tourner le plateau à la main et dans le sens contraire des aiguilles d'une montre.

Pour enlever le cache-poussière

Ouvrir le cache-poussière tout en le maintenant des deux mains et le tirer de bas en haut.



ASSEMBLAGE ET AJUSTEMENTS DU BRAS DE LECTURE



Les procédures suivantes devront être réalisées sur une surface plate. Lorsque l'on change de cellule les marches à suivre indiquées dans "Ajustements" seront nécessaires.

Préparatif

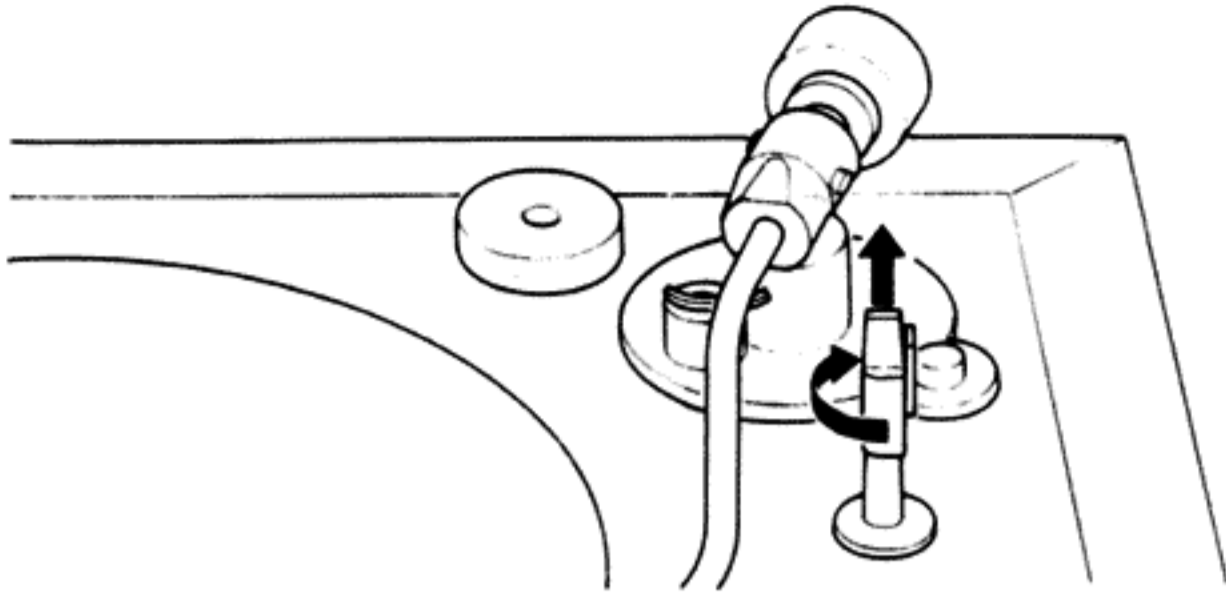
- 1 Placer le levier du lève-bras dans la position basse (sur ∇) et fixer le bras à son support.
- 2 Installer la coquille sur le bras.
- 3 Insérer le contrepoids et la molette de la force d'application en tournant le poids dans le sens contraire des aiguilles d'une montre. (La molette de la force d'application tourne avec le contrepoids.)
- 4 Enlever le protège-pointe.

Ajustement

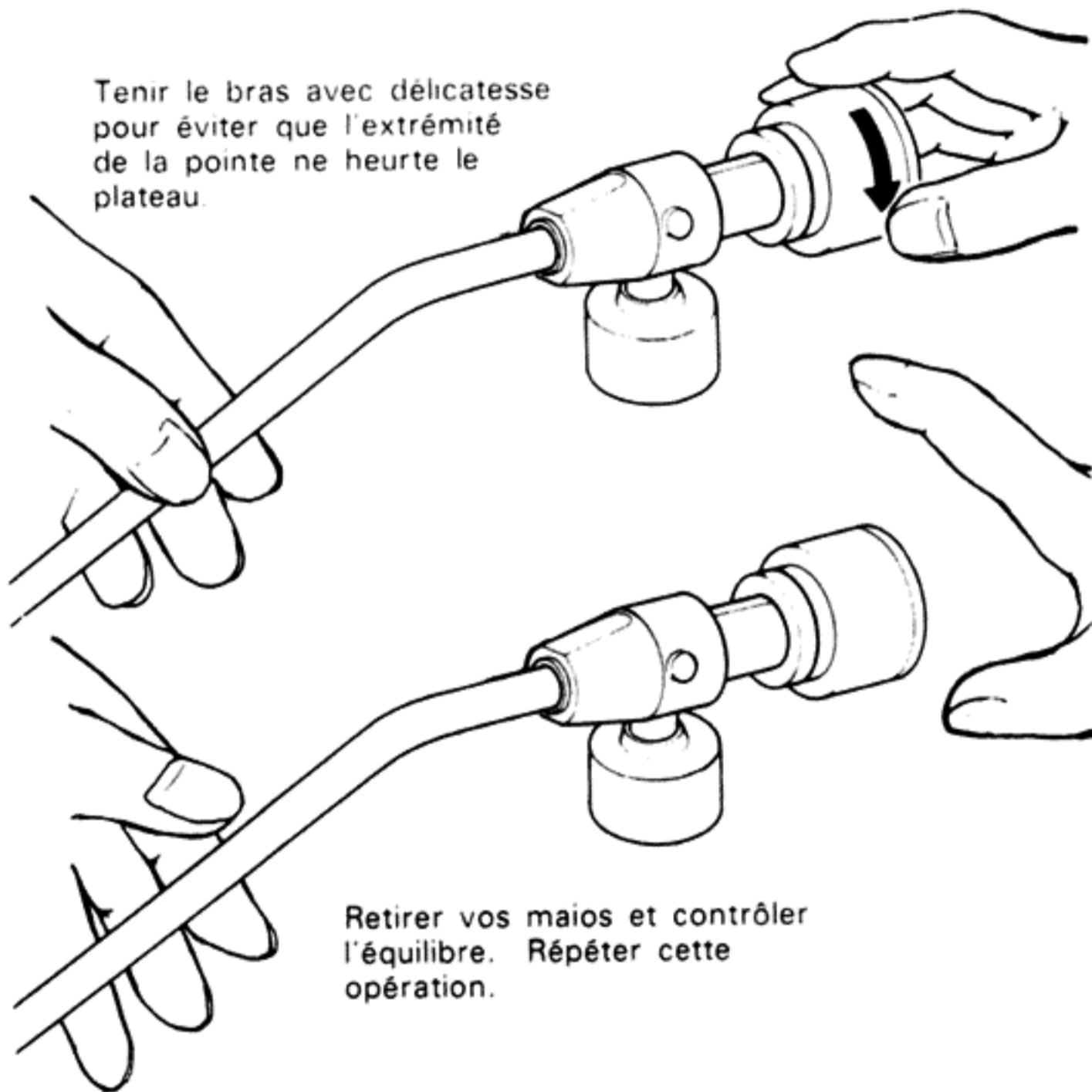
1) Equilibrage du bras

1) Libérer le bras de son support.

En tirant la partie supérieure du support-bras, le tourner de 180° dans le sens des aiguilles d'une montre de sorte que l'on puisse facilement faire l'ajustement.



2) Tourner le contrepoids dans le sens des aiguilles d'une montre jusqu'à ce que le bras se trouve dans une position d'équilibre horizontale. (La molette de la force d'application tourne simultanément.)



Equilibre correcte



Tourner le poids en avant.

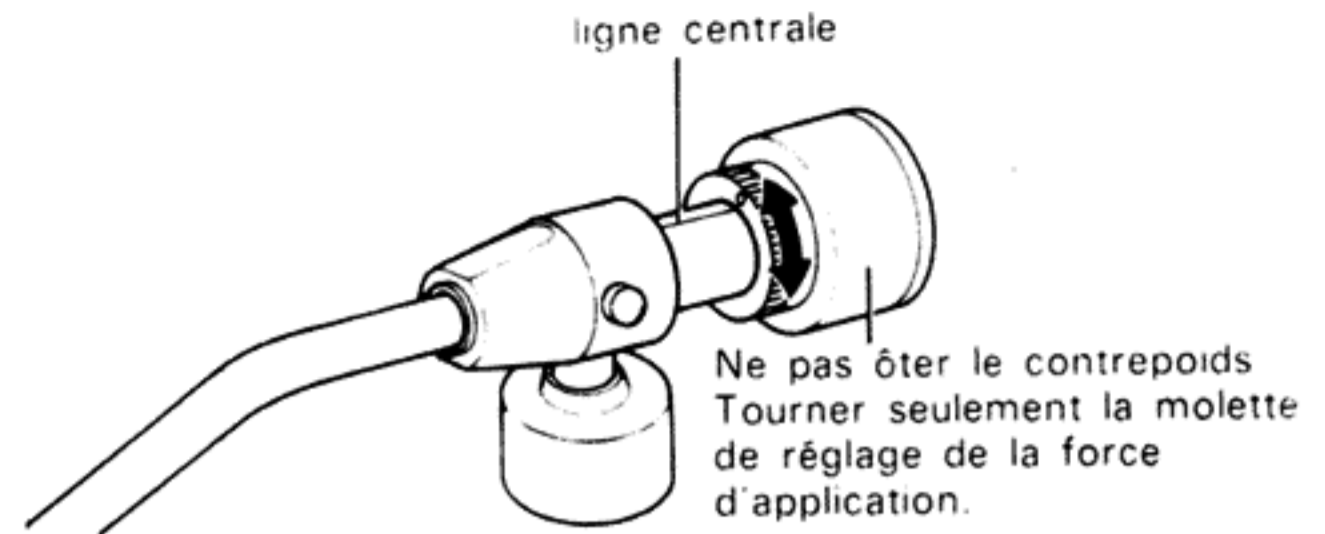


Tourner le poids en arrière.

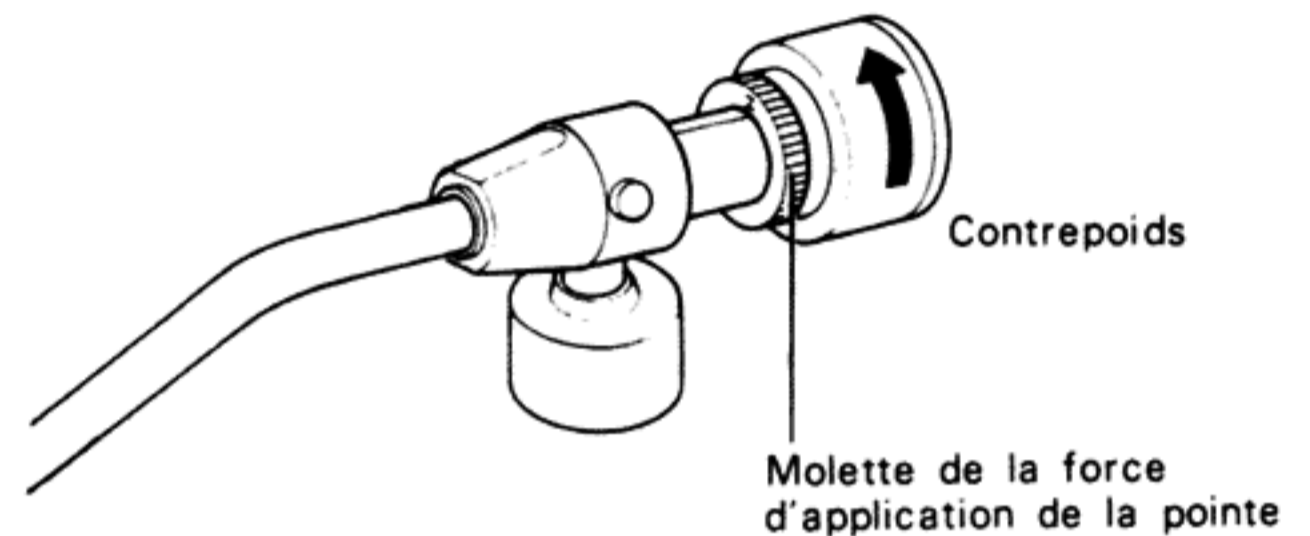
3) De nouveau, attacher le bras à son support.

En tirant le support-bras, le tourner de 180° dans le sens des aiguilles d'une montre. Le support retourne à la position originale.

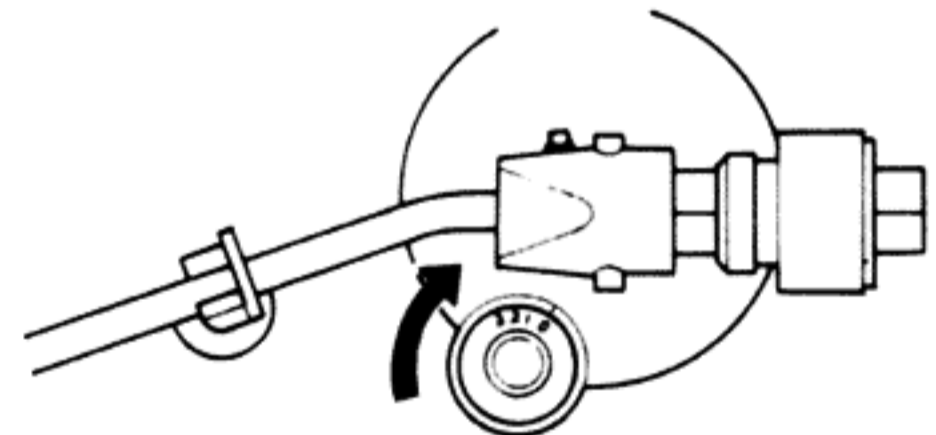
Tout en tenant le contrepoids à la position équilibrée, tourner seulement la molette de la force d'application jusqu'à ce que l'indication du zéro rencontre la ligne du centre sur le bras.



2) Tourner le contrepoids dans le sens contraire des aiguilles d'une montre pour amener la valeur "2" en face de la ligne centrale sur le bras. La molette de la force d'application devra tourner dans le même temps.



3) Tourner le compensateur d'effet centripète de sorte que la marque indiquée d'une flèche rencontre la valeur "2".



4) Après avoir achevé les ajustements, installer le protège-pointe sous la cellule.

CONNEXIONS

(Voir ③, page 2.)

- Vérifier que les cordons phono et le cordon d'alimentation ne sont pas coincés sous le châssis.
- Réaliser une liaison lâche entre les cordons phono, ceci pour éviter une vibration extérieure ou tout hurlement.
- Pour débrancher le cordon d'alimentation, le tirer par la fiche. Ne jamais tirer par le cordon lui-même.

RECOMMANDATIONS SUR LE MANIEMENT DU DISQUE

Avant l'audition

● Pour le nettoyage de la pointe, utiliser une brosse souple (brosse pour pointes, brosse à peintures pour artiste, etc.). Ne jamais nettoyer la pointe avec l'extrémité de vos doigts.

● Pour un nettoyage de routine de vos disques, l'usage d'un tissu doux légèrement humecté d'un liquide nettoyant pour stylets est recommandé.

Si vous utilisez un nettoyeur du type vaporisateur bien vérifier que le vaporisateur soit entièrement sec avant de faire passer un disque. Dans le cas d'un disque encore humide du produit, l'audition sera défectueuse et le disque abîmé. C'est une très bonne idée que de nettoyer le microsillon de nouveau avant de le ranger.

● Il faut toujours tenir un disque par son bord. Ne jamais toucher les sillons. Des traces de doigts sur le disque peuvent encrasser les sillons et avoir un mauvais effet sur la reproduction sonore.



Pendant l'audition

● Il est recommandé que vous réduisiez le volume de l'amplificateur avant d'abaisser le bras de lecture sur le disque.

● Pendant que la table de lecture est mise en marche, ne pas essayer de l'arrêter ou de la déplacer.

● Pendant le passage du disque, veiller à ce que le couvercle cache-poussière soit bien fermé. Ne rien placer dessus.

● Pendant l'écoute ne pas tenter de déplacer le plateau ou de toucher le bras de lecture.

● Après un changement de vitesse, s'assurer de bien faire tourner le plateau pour éviter toute déformation de la courroie d'entraînement.

Après l'audition

● Éviter de laisser exposer les disques près d'une source de chaleur, tel que le rayonnement direct du soleil, une bouche d'air chaud, etc.

Tenir les disques verticalement sans y appliquer aucune pression, ni les incliner d'un côté ou de l'autre, ceci pour éviter que les disques ne se déforment.

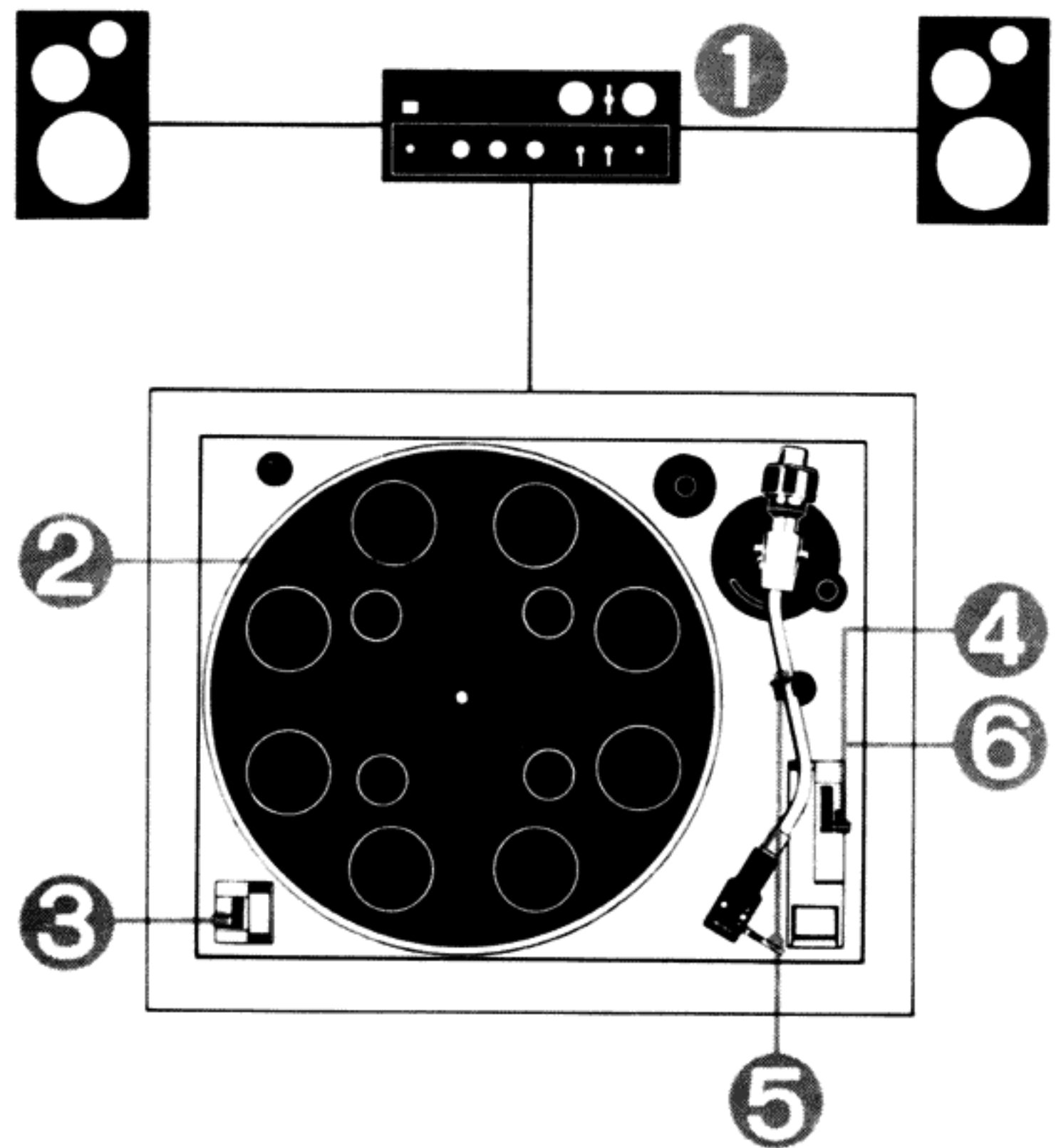
● Lorsque vous n'utilisez pas le plateau, fermer le couvercle cache-poussière.

Autres précautions

● Ne rien poser sur le plateau, autre que les disques.

● Bien dépasser sur le coffret, sauf la cellule de rechange et le centreur 45 tours.

PASSAGE DU DISQUE



Suivre l'ordre numérique du schéma.

❶ Baisser le volume de l'amplificateur et basculer son sélecteur d'entrée sur PHONO.

❷ Placer un disque sur le plateau.

❸ Sélectionner la vitesse (soit 33 ou 45) suivant la vitesse du disque que l'on désire entendre.

❹ Faire basculer le levier du lève-bras dans la position inverse [▾].

❺ Amener le bras au dessus du sillon de guidage du disque. Le plateau tournant commence à tourner.

❻ Placer le levier du lève-bras dans la position basse [▽]. Le bras sera automatiquement abaissé sur le disque et l'audition commencera.

Régler à discrétion le niveau sonore, la balance stéréo et la tonalité sur l'amplificateur.

● Pour les disques de 17 cm, mettre le centreur 45 tours (fourni) sur l'axe central.

● Pour procéder à l'arrêt pendant l'audition, enfoncer la touche de renvoi.

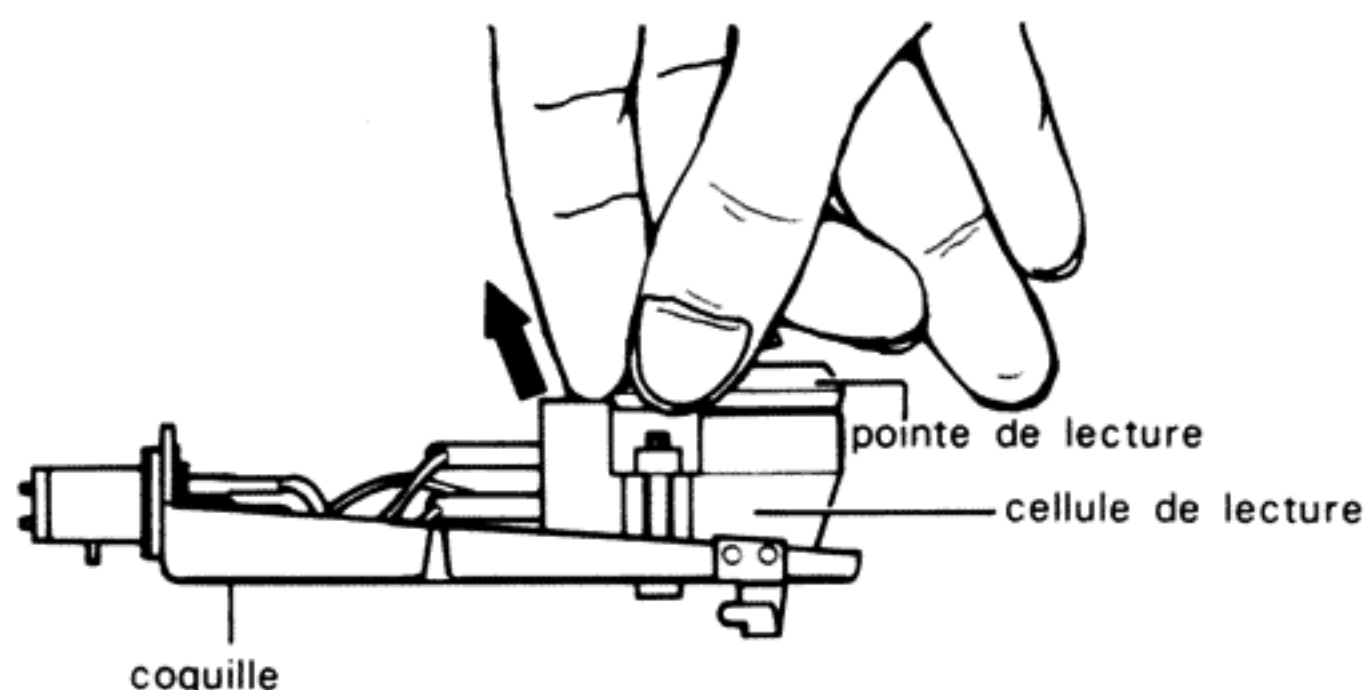
● Pour arrêter la table de lecture manuellement, mettre le levier du lève-bras à la position [▾] et le bras s'élèvera automatiquement. Ensuite mettre le bras sur son support. La table de lecture s'arrêtera. S'assurer de fermement fixer le bras sur son support.

● Après l'audition, le bras de lecture automatiquement retourne sur son support et l'appareil est mis hors tension.

REPLACEMENT DE LA POINTE DE LECTURE

Une pointe de lecture dure à peu près 400 heures. On peut se procurer la pointe de lecture Sony ND-134G chez le concessionnaire Sony. Une pointe de lecture est un organe extrêmement précis et délicat qui doit être manipulé avec les plus grandes précautions. Pour changer la pointe, procéder comme suit :

1. Baisser le volume sonore, ou mettre hors tension l'amplificateur.
2. Retirer la pointe de lecture usagée du bras.
3. Saisir le porte-pointe entre le pouce et l'index et le tirer doucement. Voir l'illustration.
4. De la même façon, remettre la pointe neuve dans la cellule.



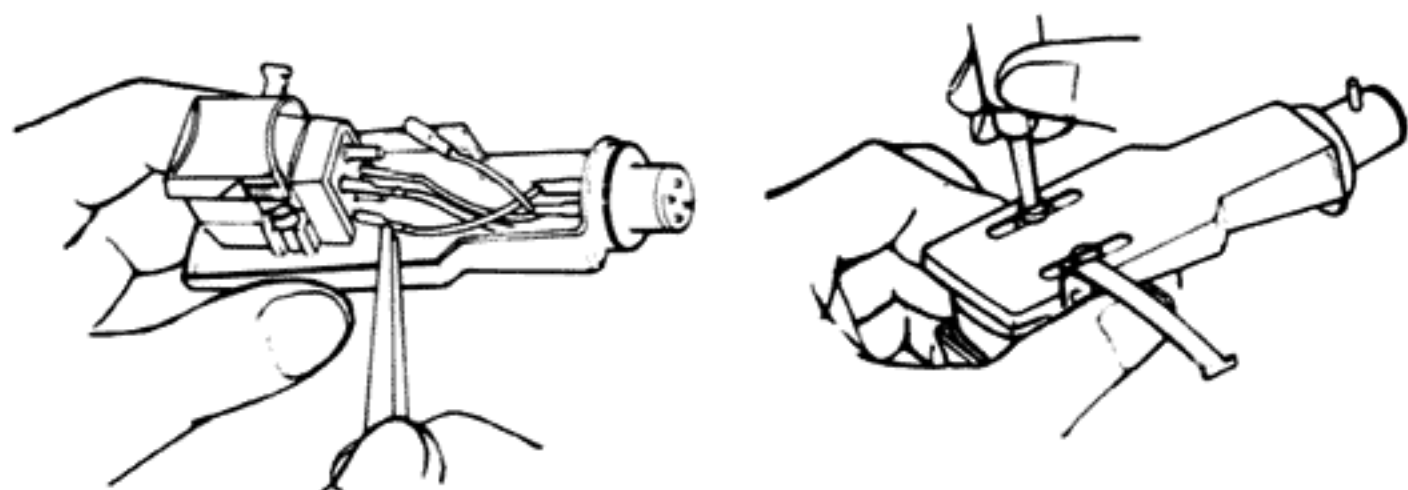
MISE EN PLACE D'UNE AUTRE CELLULE

Remplacement de la cellule

Une cellule pesant entre 4-12,5 g peut être utilisée avec la coquille fournie. Si quelque autre coquille/cellule est installée, utiliser celle dont le poids et la hauteur soient similaires à ceux de la coquille/cellule fournie.

Lorsqu'une cellule est remplacée, procéder aux réajustements.

1. Baisser le volume sonore ou mettre hors tension l'amplificateur.
2. Enlever la coquille du bras de lecture.
3. Débrancher les quatre fiches de la coquille des quatre broches de la cellule.
4. Pour démonter l'ancienne cellule, desserrer les deux vis qui la maintiennent contre la coquille. Fixer la nouvelle cellule sur la coquille.



5. Rebrancher les fiches aux broches de la cellule que l'on désire employer comme suit :

Fiches de la coquille	Broches de la cellule
Fil blanc.....	L (terre du canal gauche)
Fil bleu.....	LE ou G (canal gauche)
Fil rouge.....	R (canal droit)
Fil vert.....	RE ou G (terre du canal droit)

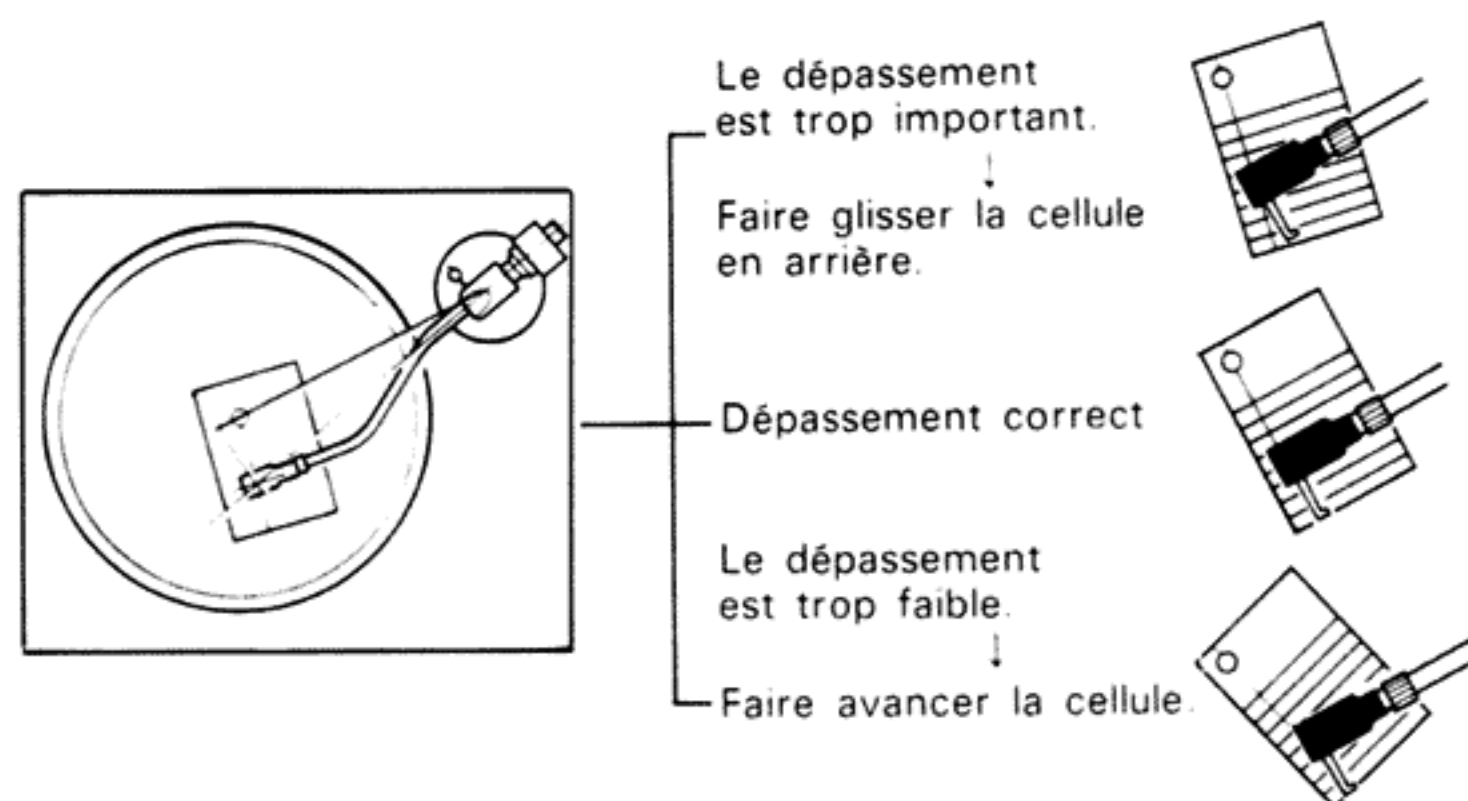
6. Vérifier que la cellule soit bien installée comme illustré ci-dessous.



Dépassement

Vérifier que le dépassement de la pointe de lecture est bien réglé. Employer le rapporteur d'alignement fourni.

1. Insérer le rapporteur d'alignement en passant l'axe dans le trou prévu.
2. Amener le bras de lecture au-dessus du point d'intersection des deux axes fins, et y laisser tomber soigneusement la pointe de lecture.
3. Vérifier que la coquille soit parallèle aux axes épais du rapporteur d'alignement comme indiqué sur l'illustration. Si elle est parallèle, le dépassement de la pointe est bien réglé.
4. Si la coquille n'est pas parallèle, réajuster le dépassement de la pointe.



Après les opérations décrites ci-dessous, équilibrer le bras de lecture selon les indications du paragraphe "ASSEMBLAGE ET AJUSTEMENTS DU BRAS DE LECTURE".

- Un espace stockage est prévu sur le coffret pour une cellule supplémentaire.

LUBRIFICATION

Appliquer une fois par an une à deux gouttes d'huile sur l'axe du moteur (Huile Sony OL-2KA). C'est le seul point de graissage de la table de lecture. Ne jamais lubrifier la courroie d'entraînement ou la poulie du moteur. Si elles étaient souillées accidentellement par un excès d'huile, les essuyer soigneusement à l'aide d'une étoffe imbibée d'alcool pur. (Voir ④, page 2.)

DEPANNAGE

La procédure suivante permet de remédier à la plupart des défauts qui peuvent se produire dans l'utilisation du PS-1350. Si le défaut persiste après avoir procédé à ces vérifications, s'adresser au concessionnaire Sony.

Qualité du son altérée

- La table n'est pas installée sur une surface plate.
- Equilibre du bras incorrect (Voir ① page 14).
- Force d'application de la pointe incorrecte
- Positionnement incorrect du compensateur d'effet centripète (Voir ② page 14.)
- Pointe de lecture poussiéreuse
- Pointe de lecture usée, ou disque défectueux (la longévité de la pointe est d'environ 400 heures.)
- La table est installée incorrectement ou près d'un haut-parleur.
- Installation incorrecte de la cellule
- Mise en place incorrecte de la courroie d'entraînement
- Courroie d'entraînement usée

Aucun son par un canal

- La coquille est mal fixée au bras (Voir la page 13.)
- Niveau du volume ajusté trop bas pour un canal de l'amplificateur
- Connexion lâche du cordon phono

Mauvaise tenue du sillon, tendance du bras de lecture à dérapier, le bras n'avance pas (répétitions du même passage du disque).

- La table n'est pas installée sur une surface plate.
- Force d'application de la pointe incorrecte
- Positionnement incorrect du compensateur d'effet centripète
- Disque défectueux

Ronflement constant (bourdonnement)

- Connexion lâche du fil de terre à l'amplificateur
- Contact lâche entre la coquille et le bras
- Connexion incorrecte des fils de la coquille (Voir la page 16.)

SPECIFICATIONS

Plateau tournant

Platine	30 cm, alliage d'aluminium moulé
Système d'entraînement	Entraînement par courroie
Moteur	Moteur synchrone 4-pôles
Vitesses	33 1/3 et 45 tr/mn
Pleurage et scintillement	WRMS 0,06%
Rapport S/B	63 dB (DIN-B)

Bras de lecture

Type	Equilibre statique stéréo
Longueur du pivot à la pointe	216,5 mm (8 9/16")
Longueur hors tout	300 mm (11 3/4")
Dépassement	16,5 mm
Réglage de la force de compensation centripète	0 - 3 g
Poids de la coquille	7,5 g
Poids de la cellule à adapter	4 - 12,5 g

Cellule

Type	A aimant mobile
Gamme de fréquence	10 Hz - 30 kHz
Séparation des canaux	25 dB à 1000 Hz
Tension de sortie	3 mV à 1 kHz, 5 cm/sec.
Impédance de charge	50 kohms
Force d'application de la pointe	1,5 - 2,5 g (2 g)
Pointe	Sony ND-134G (diamant de 0,5 mil conique)
Poids	5,5 g

Généralités

Alimentation	120 V CA, 60 Hz
Consommation	12 W
Dimensions hors tout	Env. 450×160×380 mm (l/h/p), (17 3/4×6 1/8×15")
Poids	Env. 7,7 kg net, (16 lb 15 oz) Env. 9,3 kg en carton d'emballage, (20 lb 8 oz)
Accessoires fournies	Centreur 45-tours Rapporteur d'alignement Espace de la cellule

Accessoires sur option Pointe de lecture ND-134G
Huile Sony OL-2KA

La conception et les caractéristiques peuvent être modifiées sans préavis.

REMBALLAGE POUR L'EXPEDITION

Le carton d'emballage, dans lequel vous avez reçu le PS-1350 avec le matériel d'emballage intérieure, que nous vous avons conseillé de conserver est idéal pour l'expédition, qu'il s'agisse d'envoyer l'appareil pour une réparation quelconque ou de déménager. Mais n'oubliez pas que, pour sa protection, le PS-1350 doit être emballé exactement comme vous l'avez reçu. L'illustration montre comment effectuer correctement le emballage.

- Tourner les deux vis de transport (peintes en rouge) à fond dans le sens contraire des aiguilles d'une montre de manière à immobiliser la platine tourne-disque sur le coffret. (Voir ⑤, page 2.)

